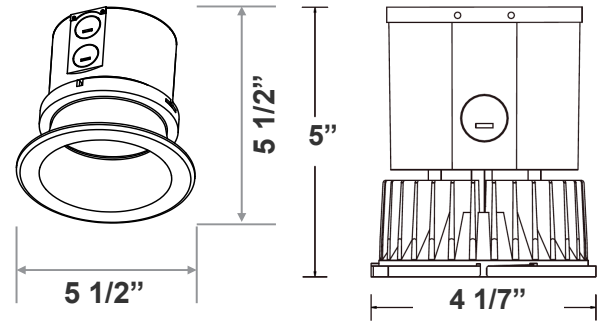


# CRLC SERIES COMMERCIAL INDOOR LIGHTING

**WESTGATE**  
THE FUTURE IS HERE...AND IT'S QUITE BRIGHT!

CRLC4-40W-MCTP-D  
CRLC4-40W-MCTP-D-WH  
4" LED COMMERCIAL RECESSED LIGHT

Customer Name: \_\_\_\_\_  
Project Name: \_\_\_\_\_  
Note: \_\_\_\_\_ | Type: \_\_\_\_\_



**10 1/2" (L) X 4 1/7" (W) X 5 1/2" (D)**

Ideal for hotel, offices, retail outlets, restaurant, parking garages, conference room, education facilities and more.

## Features

- 4" Haze & White Finish TRIM
- MCTP: The Switch Is On The Light Engine
- Mounting Options: Recessed
- 5-Year Warranty
- Lifespan: 50,000 hrs.

## Technical Specifications

### Electrical:

- Voltage: 120-277V AC 50/60Hz
- 27W/34W/40W
- Power Factor: >0.90
- Efficacy: 80 LPW

### Mechanical:

- 4" Haze & White Finish TRIM
- Mounting Options: Recessed
- Temperature Rating: Designed To Operate In Temperatures 113°F
- Housing Not Required. Two Spring Clips To Hold The Fixture In Place
- No IC-Rated
- Suitable for Damp Locations
- 5-Year Warranty

### Lighting:

- MCTP: The Switch Is On The Light Engine
- Dimming: 0~10V Dimmable
- Total lumens: 3200LM Max.
- Color Temperature: 3000K/3500K/4000K
- Color Rendering index: >80
- Lifespan: 50,000 hrs.

### Applications:

- Ideal for hotel, offices, retail outlets, restaurant, parking garages, conference room, education facilities and more.

### Other Models:

- 40W | 3200LM | CRLC4-40W-MCTP-A-D
- 40W | 3200LM | CRLC4-40W-MCTP-A-D-WH

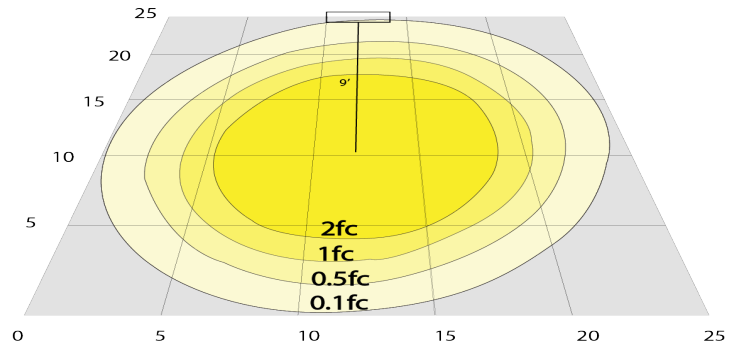
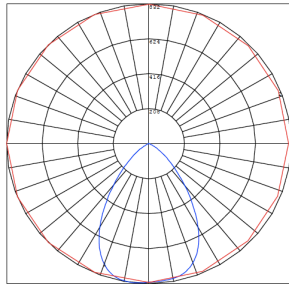
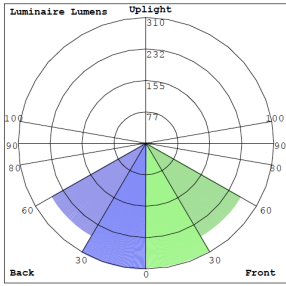


Phone: (877) 805-2252 | Fax: (877) 805-2252  
www.westgatemfg.com



WG-02 172022

# Photometrics: CRLC4-40W-MCTP-D



BUG Rating: B1-U1-G0

20W 5000K, Area 25" x 25" Mounting Height: 9'

## Other Views:

Hazel



CRLC-EGN-40W-MCTP-D



CRLC-TRM-4



CRLC4-20W-MCT-D

White



CRLC-EGN-40W-MCTP-D



CRLC-TRM-4-WH



CRLC4-20W-MCT-D-WH

## Performance Table: CRLC4-40W-MCTP-D

MODEL NO.	Wattage	Voltage	Lumens	Color Temp.	BUG Rating	LPW
CRLC4-40W-MCTP-D	27W	120-277V	2160LM	3000K	B1-U1-G0	80
	34W		2720LM	3500K		
CRLC4-40W-MCTP-D-WH	40W		3200LM	4000K		

## Sample Ordering

**Model**      **Watt**      **Dimming**      **Housing**

CRLC4 - 40W - MCTP - D - [ ]

Blank  
WH = WHITE

### Accessory:

[ ]

Blank = No Option For Accessories  
RSL4-RI = 4" ROUND ROUGH-IN PLATE, 26" LONG  
RSL4-RI-13 = 4" ROUND ROUGH-IN PLATE, 13" LONG

### Factory-Installed Option:

[ ]

Blank = No Option For Accessories  
OPT-EM-HB1EXT = EXTERNAL EMERGENCY BACK UP BATTERY

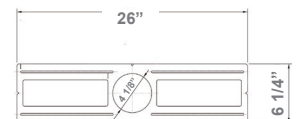
### Example:

- 1. CRLC4-40W-MCTP-D (FOR 40W CRLC4 MCTP 120-277V)
- 1. CRLC4-40W-MCTP-D (FOR 40W CRLC4 MCTP 120-277V)  
OPT-EM-HB1EXT (EXTERNAL EMERGENCY BACK UP BATTERY)

### Accessory:



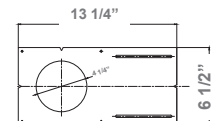
RSL4-RI  
4" ROUND ROUGH-IN PLATE, 26" LONG



RSL4-RI  
26"(W) x 6 1/4"(H)



RSL4-RI-13  
4" ROUND ROUGH-IN PLATE, 13" LONG



RSL4-RI-13  
13 1/4"(W) x 6 1/2"(H)

### Factory-Installed Option:



OPT-EM-HB1EXT  
EXTERNAL EMERGENCY BACK UP BATTERY

