

# WAC LIGHTING

## Cornice

### Wall Sconce

Fixture Type: \_\_\_\_\_

Catalog Number: \_\_\_\_\_

Project: \_\_\_\_\_

Location: \_\_\_\_\_

| Model & Size | Color Temp | Finish   | LED Watts | LED Lumens | Delivered Lumens |
|--------------|------------|----------|-----------|------------|------------------|
| WS-57205 5"  | 2700K      | BK Black | 15W       | 1200       | 363              |
|              | 3000K      | WT White | 15W       | 1200       | 400              |
|              | 3500K      |          | 15W       | 1200       | 378              |

Example: **WS-57205-35-WT**

For custom requests please contact [customs@wacighting.com](mailto:customs@wacighting.com)

#### DESCRIPTION

Dramatic double light wall luminaire.

#### FEATURES

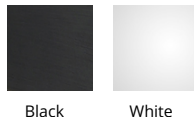
- Up and downlight illumination
- Built in color temperature adjustability. Switch from 2700K/3000K/3500K
- Option to pre-select color temperature or adjust in the field
- ACLED driverless technology
- 5 Year warranty

#### SPECIFICATIONS

|               |  |
|---------------|--|
| Color Temp:   | 3500K,3000K,2700K                          |
| Input:        | 120 VAC,50/60Hz                            |
| CRI:          | 90   |
| Dimming:      | ELV: 100-10% ,TRIAC: 100-10%               |
| Rated Life:   | 50000 Hours                                |
| Mounting:     | Can be mounted on wall in all orientations |
| Standards:    | ETL, cETL<br>Damp Location Listed          |
| Construction: | Aluminum body, frosted glass diffuser      |



#### FINISHES:



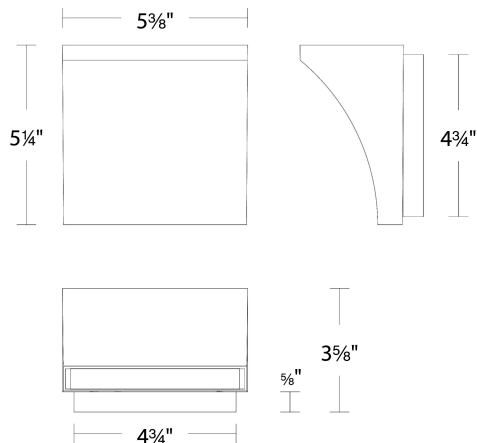
Black

White

#### REPLACEMENT PARTS

HDW-LG22-WA - Hardware Pack

#### LINE DRAWING:



WS-57205