

SYLVANIA Luminaires

ValueLED™ Garage

Item #
Type
Project
Notes
Date

Application

The Garage luminaires are environmentally preferable LED alternatives to traditional HID luminaires, offering up to 81% in energy savings. Ideal in place of traditional luminaires, or as new installations, the ValueLED Garage series is offered in three wattages/lumen packages for use in garages, canopies, and mid bay general lighting.

Benefits and Features

- IP65 rated body with polycarbonate lens offers easy mounting, reducing installation and maintenance costs
- High color rendering and DLC Premium listing ensure energy efficiency and provide uniform and even lighting
- Up to 115 LPW
- CCT Selectable (3000K, 4000K, or 5000K) enabled through switch located inside fixture
- CRI >80
- Offered in 25, 40, and 55 watts
- Type V distribution
- Energy savings up to 88%

Electrical

- 120-277VAC
- Power Factor >90%
- THD <20%
- 0-10V dimmable
- Constant current LED driver with 10kV surge suppression

Rated Life

- 125,000 hours (L₇₀) @25°C

Warranty

- 5-year

Ambient Operating Range

- -22°F to +113°F (-30°C to +45°C)

Certifications and Listings

- cULus
- RoHS
- FCC
- DLC Premium



Wattage Comparison

Traditional Source	Traditional System Wattage	LED System Wattage	Energy Savings
35W HPS	42	25	40%
50W HPS	62	25	60%
70W HPS	91	25	73%
70W HPS	91	40	56%
100W HPS	120	25	79%
100W MH	130	25	81%
100W HPS	120	40	67%
100W MH	130	40	69%
150W HPS	170	25	85%
150W MH	188	25	87%
150W HPS	170	40	76%
150W MH	188	40	79%
150W HPS	170	55	68%
150W MH	188	55	71%
175W MH	210	25	88%
175W MH	210	40	81%
175W MH	210	55	74%
250W MH	290	40	86%
250W MH	290	55	81%

Installation

- Easy installation directly to 3/4" pipe or back plate to junction box



Ordering Guide

GARAG	2A	/	XXX	UNV	D	8	SC2	/	10R	5	WH	/	X
Product Name	Generation		Wattage	Voltage	Dimming	CRI	Color Temp		Dimensions	Distribution	Color / Finish		Options
GARAG = Garage Luminaire	2A = Generation 2A		025 = 25 Watts 040 = 40 Watts 055 = 55 Watts	120-277V	D = 0-10V Dimming	8 = >80	SC2 = 3000, 4000 or 5000K		10R = 10" diameter, round	5 = Type V Distribution	WH = White		Blank = no options D = Daylight / Motion Sensor

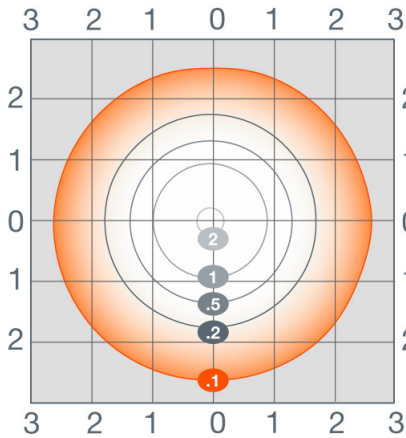
Ordering Information

Item Number	Ordering Abbreviation	Wattage (W)	Input Voltage (V)	Dimming	CRI	Color Temperature (CCT)	Distribution	Total Fixture Lumens	LPW	DLC	Options
61744	GARAG2A/025UNVD8SC2/10R5/WH	25	120-277	0-10V	>80	3000, 4000 or 5000K	Type V	2800	112	Prm	–
61745	GARAG2A/040UNVD8SC2/10R5/WH	40	120-277	0-10V	>80	3000, 4000 or 5000K	Type V	4500	113	Prm	–
61746	GARAG2A/055UNVD8SC2/10R5/WH	55	120-277	0-10V	>80	3000, 4000 or 5000K	Type V	6300	115	Prm	–
61747	GARAG2A/025UNVD8SC2/10R5/WH/D	25	120-277	0-10V	>80	3000, 4000 or 5000K	Type V	2800	112	Prm	Daylight/Motion Sensor
61748	GARAG2A/040UNVD8SC2/10R5/WH/D	40	120-277	0-10V	>80	3000, 4000 or 5000K	Type V	4500	113	Prm	Daylight/Motion Sensor
61749	GARAG2A/055UNVD8SC2/10R5/WH/D	55	120-277	0-10V	>80	3000, 4000 or 5000K	Type V	6300	115	Prm	Daylight/Motion Sensor

Photometric Data

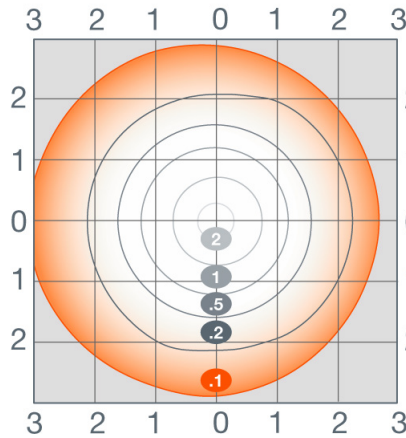
GARAG2A/025UNVD8SC2/10R5

Isofootcandle Lines at 12' Mounting Height



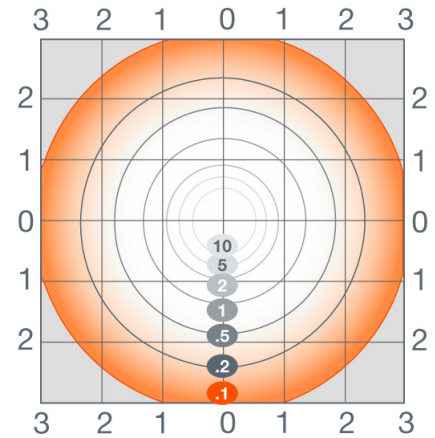
GARAG2A/040UNVD8SC2/10R5

Isofootcandle Lines at 12' Mounting Height



GARAG2A/055UNVD8SC2/10R5

Isofootcandle Lines at 12' Mounting Height

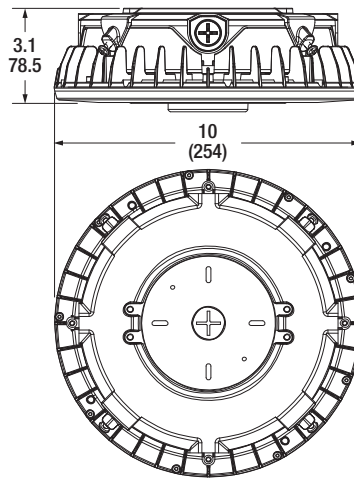


For other mounting heights apply the following multipliers:

Mounting Height	8'	10'	12'	15'	18'
Multiplier	2.25	1.44	1.00	0.64	0.44

Physical Information


Luminaire Description	Diameter	Height
Garage Luminaire	10" (254mm)	3.1" (78.5mm)



Dimensions in inches (mm)

LEDVANCE LLC
200 Ballardvale Street
Wilmington, MA 01887 USA
Phone 1-800-LIGHTBULB (1-800-544-4828)
www.sylvania.com

SYLVANIA and LEDVANCE are registered trademarks.
All other trademarks are those of their respective owners.
Licensee of product trademark SYLVANIA in general lighting.
Specifications subject to change without notice.

 /sylvania  /sylvania

© 2020 LEDVANCE LLC

Name: _____
Email: _____
Phone: _____

