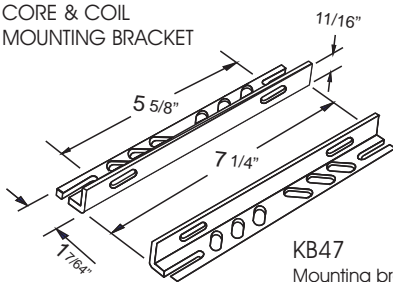


## CATALOG NUMBER: E-MCAWDD401 FOR ONE 400 WATT, M135/M155 METAL HALIDE PULSE START LAMP

Line Voltage	120/208/240/277/480 V
Regulation	
Line Volts	+/-10%
Lamp Watts	+/-10%
Frequency	60 Hz
Circuit Type	CWA
Power Factor (min)	90%
Insulation Class	H(180°)
Min. Ambient Starting Temp.	-20° F or -30° C

Line Voltage (Volts)	120	208	240	277	480
Line Current (Amps)					
Operating	3.80	2.20	1.90	1.70	1.00
Open Circuit	3.40	2.20	1.75	1.50	0.85
Starting	1.95	1.10	1.00	0.86	0.50
Input Watts (W)	452	452	452	452	452
Open Circuit Voltage (V)	275	275	275	275	275
Drop Out Voltage (V)	60	104	120	138	240
UL(1029) Bench Top Rise	B	B	B	B	B
Recommended Fuse (Amps)	10	7	5	5	3
HIGH POTENTIAL TEST (VOLTS)					
1 Minute	2000				
2 Seconds	2500				
Open Circuit Voltage Test(volts)	254-310				
Short-Circuit Current Test (Amps)					
Secondary Current	3.4 - 4.2				
Input Current (Amps)					
	1.30 - 2.10	0.75 - 1.20	0.65 - 1.00	0.55 - 0.95	0.30 - 0.55

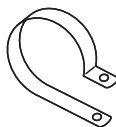
### BRACKET CORE & COIL MOUNTING BRACKET



KB47  
Mounting bracket for  
Core & Coil Ballasts  
(2 brackets with thru bolts)

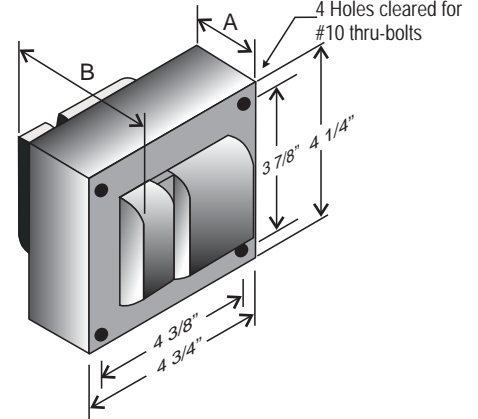


C-01  
MOUNTING CLIP for round case (Furnished as standard with B suffix ballast)



I-01  
MOUNTING CLIP for round case (Furnished as standard with B suffix ballast)

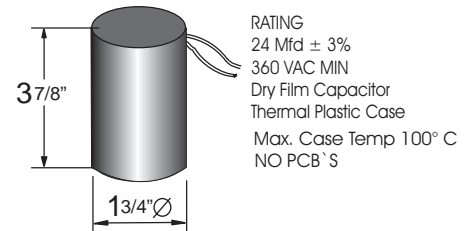
### 4 1/4" x 4 3/4" CORE



### CORE AND COIL

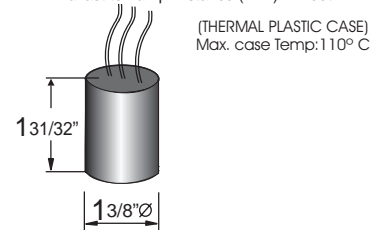
Dimension A (inches)	2.00
Dimension B (inches)	4.10
Weight (Lbs)	14.00
Lead Lengths (inches)	12

### CAPACITOR

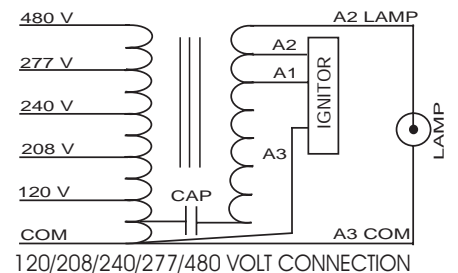


### IGNITOR 37-63-AS-6.9-N7

Ballast to Lamp Distance (BTL): 2 feet



### WIRING DIAGRAM



## ORDERING INFORMATION

\*\*\* Add proper suffix to catalog number when ordering as indicated below:

- No suffix = Core and Coil Only
- B = Core and Coil, and Bracket
- C = Core and Coil, and Capacitor
- BC = Core and Coil, Capacitor and Bracket

Data is based upon tests performed by Industrias Sola Basic in a controlled environment and representative of relative performance. Actual Performance can vary depending on operating conditions. Specifications are subject to change without notice.

ISO 9001:2000



Made in Mexico by Industrias Sola Basic S.A de C.V.