

## SN40BP

|                  |                 |
|------------------|-----------------|
| Ballast Type:    | Electromagnetic |
| Input Voltage:   | 120VAC+5%,-10%  |
| Input Frequency: | 60 Hz.          |

|                  |         |
|------------------|---------|
| Starting Method: | Preheat |
| Lamp Connection: | N/A     |
| Unit Color:      | Black   |

|                  |         |
|------------------|---------|
| Unit Weight:     | 2.0 lb. |
| Carton Quantity: | 20      |
| Skid Quantity:   | 1080    |

**ELECTRICAL SPECIFICATION:**

| Line Voltage (V) | Lamp Type         | Lamp Watts | No. of Lamps | Line Current (A) | Input Power (W) | Power Factor | Max Current THD (%) | Current Crest Factor | Ballast Factor | Wiring Diagram | B.E.F. |
|------------------|-------------------|------------|--------------|------------------|-----------------|--------------|---------------------|----------------------|----------------|----------------|--------|
| 120              | F40T12<br>F40T12U | 40         | 1            | 0.60             | 36              | ≥0.50        | ≤10                 | ≤1.7                 | 0.72           | 002            | 2.00   |
| 120              | F30T12            | 30         | 1            | 0.67             | 35              | ≥0.40        | ≤10                 | ≤1.7                 | 0.87           | 002            | 2.42   |
| 120              | F30T8             | 30         | 1            | 0.60             | 36              | ≥0.50        | ≤15                 | ≤1.7                 | 0.88           | 002            | 2.44   |
|                  |                   |            |              |                  |                 |              |                     |                      |                |                |        |
|                  |                   |            |              |                  |                 |              |                     |                      |                |                |        |
|                  |                   |            |              |                  |                 |              |                     |                      |                |                |        |
|                  |                   |            |              |                  |                 |              |                     |                      |                |                |        |
|                  |                   |            |              |                  |                 |              |                     |                      |                |                |        |
|                  |                   |            |              |                  |                 |              |                     |                      |                |                |        |
|                  |                   |            |              |                  |                 |              |                     |                      |                |                |        |
|                  |                   |            |              |                  |                 |              |                     |                      |                |                |        |
|                  |                   |            |              |                  |                 |              |                     |                      |                |                |        |
|                  |                   |            |              |                  |                 |              |                     |                      |                |                |        |
|                  |                   |            |              |                  |                 |              |                     |                      |                |                |        |
|                  |                   |            |              |                  |                 |              |                     |                      |                |                |        |
|                  |                   |            |              |                  |                 |              |                     |                      |                |                |        |
|                  |                   |            |              |                  |                 |              |                     |                      |                |                |        |
|                  |                   |            |              |                  |                 |              |                     |                      |                |                |        |
|                  |                   |            |              |                  |                 |              |                     |                      |                |                |        |
|                  |                   |            |              |                  |                 |              |                     |                      |                |                |        |
|                  |                   |            |              |                  |                 |              |                     |                      |                |                |        |

**PERFORMANCE:**

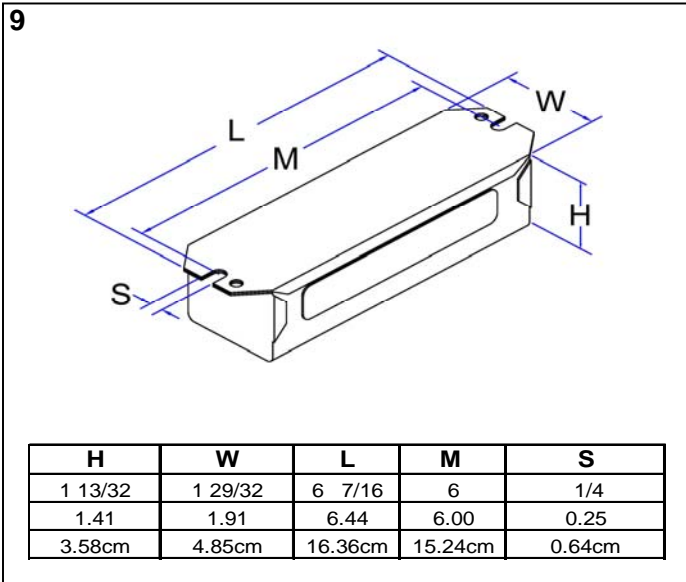
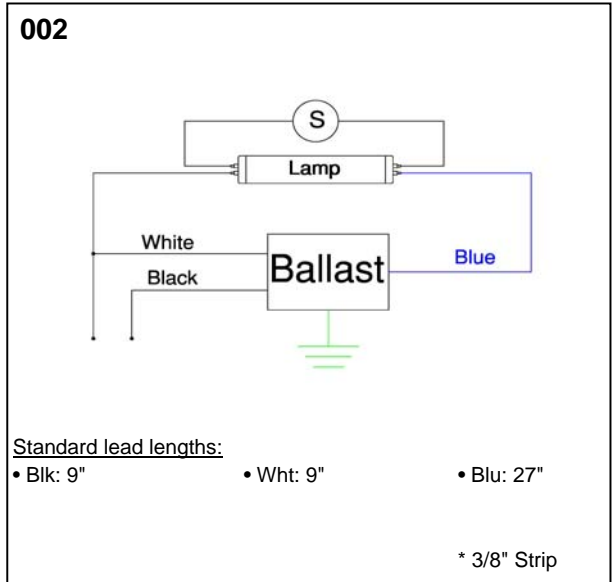
- Electromagnetic lag type ballast
- Preheat start
- Normal power factor
- Encased & potted
- Sound rated A
- Meets ANSI standard C82.11

**APPLICATION:**

- Maximum case temperature: 194°F/90°C
- Maximum ambient temperature: 104°F/40°C
- Minimum starting temperature: 50°F/10°C
- Remote mounting: 10 ft.

**SAFETY:**

- UL/935 (Class P, Type HL, Type 1 outdoor) listed
- CSA certified (cUL)
- Automatic reset thermal protector
- No PCB's

**STYLE:**

**WIRING DIAGRAM:**

**WARRANTY**

Robertson Worldwide warrants to the purchaser that this ballast will be free from defects in material or workmanship for a period of 2 years from date of manufacture when properly installed and under normal conditions of use. For more information on Robertson Worldwide's ballasts, call 1-800-323-5633 or visit [www.robertsonww.com](http://www.robertsonww.com). Specifications subject to change without notice.

Revised 11/6/07

**ROBERTSON WORLDWIDE**

 13611 Thornton Rd, Blue Island, IL 60406, TEL: 1-800-323-5633, FAX: 1-877-388-2420, [www.robertsonww.com](http://www.robertsonww.com)