

X22 5-Way Selectable Floodlight



PROJECT: _____

DATE: _____

TYPE: _____

PREPARED BY: _____



KEY FEATURES

- Selectable **power, CCT and beam angle**
- Available models & wattages:
 X22-20 : 20/17/13/10W
 X22-35: 35/30/25/20W
 X22-60: 60/50/40/30W
 X22-80: 80/70/60/50W
 X22-150: 150/125/100/75W
- Selectable CCT: 3000/4000/5000K
- Suitable for **wet locations**
- **0-10V dimming**
- 120-277V **on/off photocell** (480V photocell available for 150W model)
- Two mounts included with each:
 20 and 30W: **Knuckle and Yoke**
 60 and 80W: **Knuckle and Trunnion**
 150W: **Slipfitter and Trunnion**
- **5-year limited warranty**

5-Way Selectable Floodlight



TECHNICAL SPECIFICATIONS

COMPLIANCE

UL Listed

Suitable for wet locations

IP Rating

Ingress protection rating of IP65 for dust and water

DLC Listed

This product is listed by Design Lights Consortium (DLC) as an ultra-efficient premium product that qualifies for the highest tier of rebates from DLC Member Utilities. Designed to meet DLC 5.1 requirements.

Model#	DLC Product ID	Model#	DLC Product ID
X22-20	S-GIVJ85	X22-150/480	S-YVC01D
X22-35	S-CASURW		
X22-60	S-PWNSSH		
X22-80	S-HDQRO9		
X22-150	S-P9XAG4		

LED CHARACTERISTIC

LEDS

Long-life, high-efficacy, surface-mount LEDs

Color Uniformity

RAB's range of Correlated Color Temperature follows the guidelines of the American National Standards for Specifications for the Chromaticity of Solid State Lighting (SLL) Products, ANSI C78.377-2017.

CONSTRUCTION

Cold Weather Starting

Minimum starting temperature is -30°C (-22°F)

Maximum Ambient Temperature

Suitable for use in up to 50°C (122°F)

Housing

Precision die-cast aluminum

Mounting

20W and 35W : Robust knuckle mount with 180° adjustable swivel arm. Tilt angle in 10° increments. Yoke included.

60W and 80W: Robust knuckle mount with 180° adjustable swivel arm. Tilt angle in 10° increments. Trunnion included.

150W: Slipfitter for mounting on 2 3/8" tenon with 180° adjustability. Trunnion included..

Lens

Tempered glass

Green Technology

Mercury and UV free. RoHS-compliant components.

Finish

Formulated for high durability and long lasting color

NEMA Type

NEMA Beam Spread of 7H x 6V

X22 5-Way Selectable Floodlight



TECHNICAL SPECIFICATIONS (CONTINUED)

CONSTRUCTION (CONTINUED)

Effective Projected Area (EPA)

MODEL#	1 Fixture	2 Fixtures @90°	2 Fixtures @180°	3 Fixtures @90°	4 Fixtures @90°
X22-20	0.117 ft ²	0.256 ft ²	0.234 ft ²	0.373 ft ²	0.373 ft ²
X22-35	0.118 ft ²	0.278 ft ²	0.235 ft ²	0.395 ft ²	0.395 ft ²
X22-60	0.205 ft ²	0.427 ft ²	0.409 ft ²	0.632 ft ²	0.632 ft ²
X22-80	0.249 ft ²	0.587 ft ²	0.498 ft ²	0.836 ft ²	0.836 ft ²
X22-150	0.432 ft ²	1.093 ft ²	0.865 ft ²	1.525 ft ²	1.525 ft ²

ELECTRICAL

Drivers:

Constant Current, Class 1, 120-277V, 50/60 Hz

X22-20:

20W: 120V: 0.17A, 208V: 0.10A, 240V: 0.08A, 277V: 0.07A
17W: 120V: 0.14A, 208V: 0.08A, 240V: 0.07A, 277V: 0.07A
13W: 120V: 0.11A, 208V: 0.07A, 240V: 0.06A, 277V: 0.05A
10W: 120V: 0.09A, 208V: 0.05A, 240V: 0.05A, 277V: 0.04A

X22-35:

35W: 120V: 0.29A, 208V: 0.17A, 240V: 0.15A, 277V: 0.13A
30W: 120V: 0.25A, 208V: 0.14A, 240V: 0.13A, 277V: 0.11A
25W: 120V: 0.23A, 208V: 0.13A, 240V: 0.11A, 277V: 0.10A
20W: 120V: 0.18A, 208V: 0.10A, 240V: 0.09A, 277V: 0.08A

X22-60:

60W: 120V: 0.50A, 208V: 0.29A, 240V: 0.26A, 277V: 0.23A
50W: 120V: 0.40A, 208V: 0.24A, 240V: 0.21A, 277V: 0.19A
40W: 120V: 0.32A, 208V: 0.20A, 240V: 0.17A, 277V: 0.16A
30W: 120V: 0.24A, 208V: 0.16A, 240V: 0.14A, 277V: 0.13A

X22-80:

80W: 120V: 0.66A, 208V: 0.40A, 240V: 0.35A, 277V: 0.32A
70W: 120V: 0.58A, 208V: 0.35A, 240V: 0.31A, 277V: 0.28A
60W: 120V: 0.51A, 208V: 0.31A, 240V: 0.28A, 277V: 0.26A
50W: 120V: 0.44A, 208V: 0.26A, 240V: 0.24A, 277V: 0.22A

X22-150:

150W: 120V: 1.20A, 208V: 0.71A, 240V: 0.62A, 277V: 0.56A
125W: 120V: 1.01A, 208V: 0.60A, 240V: 0.53A, 277V: 0.47A
100W: 120V: 0.83A, 208V: 0.49A, 240V: 0.43A, 277V: 0.39A
75W: 120V: 0.69A, 208V: 0.37A, 240V: 0.34A, 277V: 0.31A

Constant Current, Class 1, 480V, 50/60Hz

X22-150

150W: 480V: 0.32A
125W: 480V: 0.27A
100W: 480V: 0.23A
75W: 480V: 0.19A

Driver includes wiring for 0-10V dimming systems. Dim as low as 10%.

ELECTRICAL

Photocell:

120-277V selectable photocell that can be turned on and off.
480V selectable photocell that can be turned on and off.

THD:

X22-20: 11.70% at 120V, 7.90% at 277V
X22-35: 13.6% at 120V, 13.7% at 277V
X22-60: 13.9% at 120V, 10.2% at 277V
X22-80: 5.9% at 120V, 12% at 277V
X22-150: 3.9% at 120V, 10.9% at 277V
X22-150: 17.9% at 480V

Power Factor:

X22-20: 99% at 120V, 93.9% at 277V
X22-35: 98.7% at 120V, 93% at 277V
X22-60: 98.7% at 120V, 95.6% at 277V
X22-80: 99.4% at 120V, 91.7% at 277V
X22-150: 99.7% at 120V, 94.2% at 277V
X22-150: 96.8% at 480V

Surge Protection:

20W/35W: L/N-PE: 2.5kV
60W/80W/150W: L/N-PE: 6kV, L-N: 6kV

Note: All values are typical (tolerance +/- 10%)

PERFORMANCE

Lifespan

100,000-hour LED lifespan based on IES LM-80 results and TM-21 calculations

OTHER

Warranty

The RAB 5-year, limited warranty covers light output, driver performance and paint finish. RAB's warranty is subject to all terms and conditions found at rablighting.com/warranty.

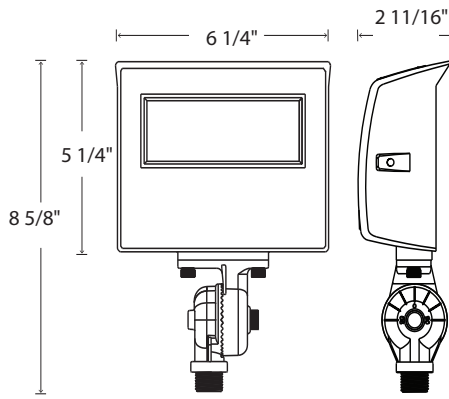
X22 5-Way Selectable Floodlight



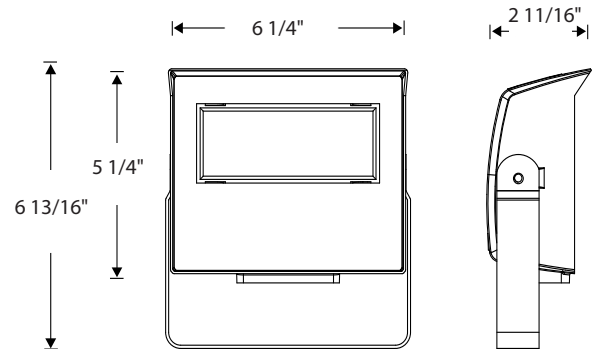
DIMENSIONS

X22-20

Weight: 1.98 lbs



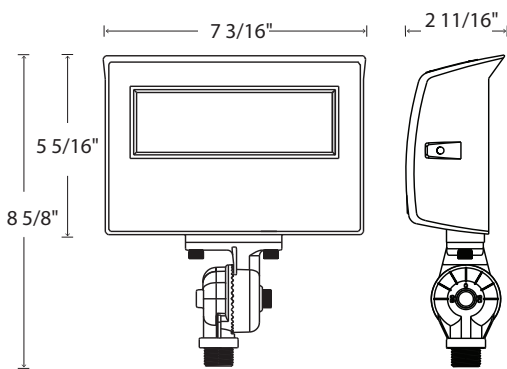
Knuckle Mount



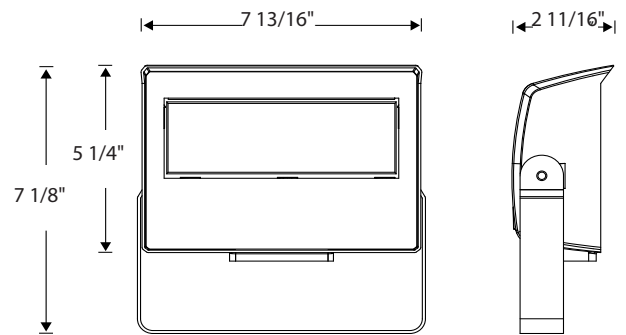
Yoke Mount

X22-35

Weight: 2.5 lbs



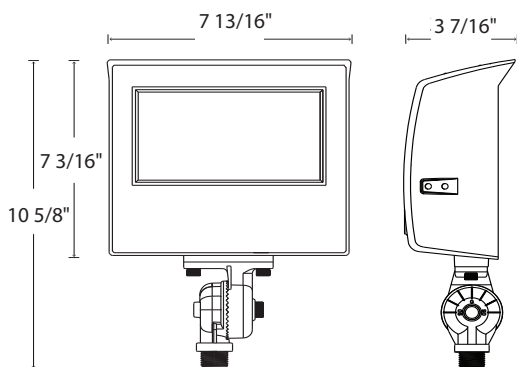
Knuckle Mount



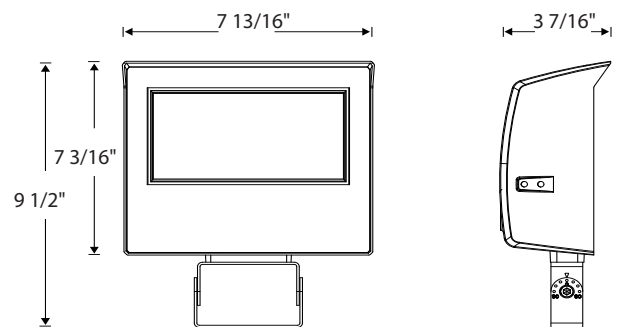
Yoke Mount

X22-60

Weight: 3.61 lbs



Knuckle Mount



Trunnion Mount

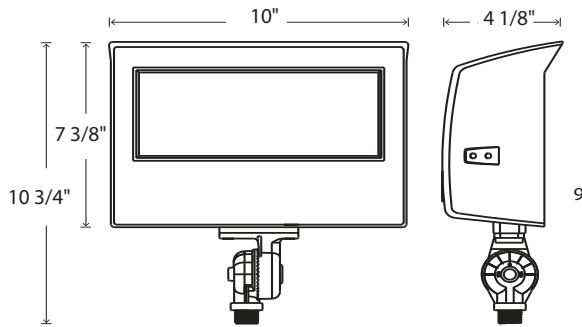
X22 5-Way Selectable Floodlight



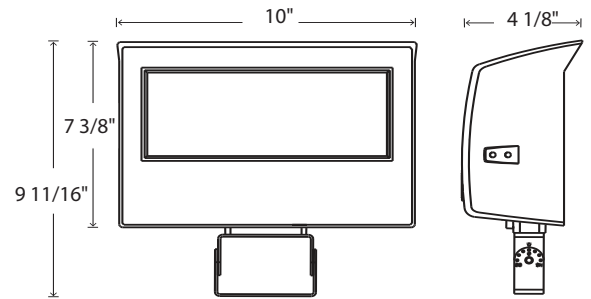
DIMENSIONS

X22-80

Weight: 5.52 lbs



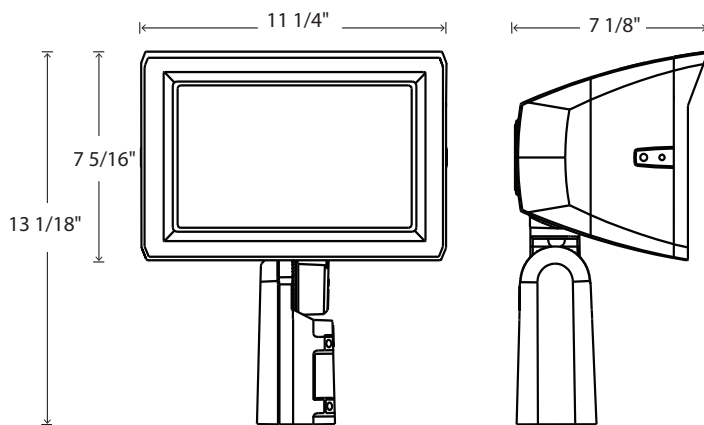
Knuckle Mount



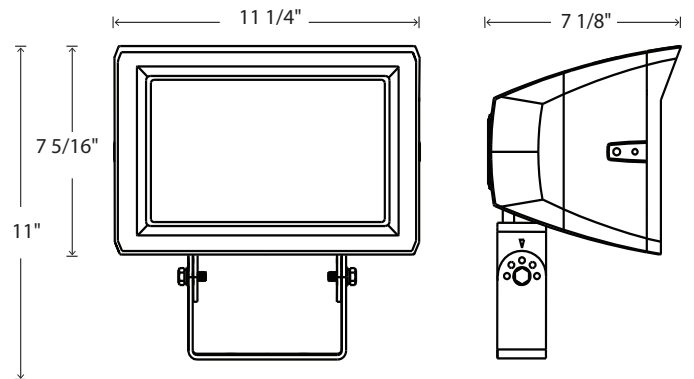
Trunion Mount

X22-150

Weight: 8.80 lbs



Slipfitter Mount



Trunion Mount

X22 5-Way Selectable Floodlight



PERFORMANCE

X22-20 @ 20W	3000K			4000K			5000K		
BEAM SETTING	90°	75°	55°	90°	75°	55°	90°	75°	55°
BEAM ANGLE	93°	77°	57°	93°	77°	57°	93°	77°	57°
NEMA TYPE	7H X 6V	6H X 6V	6H X 6V	7H X 6V	6H X 6V	6H X 6V	7H X 6V	6H X 6V	6H X 6V
INPUT WATTS	21W	21W	20.9W	20.1W	20W	20W	20.7W	20.7W	20.7W
LUMENS	2,908	2,831	2,570	3,120	3,039	2,767	3,060	2,978	2,722
EFFICACY	138.5	134.8	123.0	155.2	152.0	138.4	147.8	143.9	131.5
CRI	81	82	82	84	83	83	82	82	82
VOLTAGE RATINGS	120-277V								

X22-20 @ 17W	3000K			4000K			5000K		
BEAM SETTING	90°	75°	55°	90°	75°	55°	90°	75°	55°
BEAM ANGLE	93°	77°	57°	93°	77°	57°	93°	77°	57°
NEMA TYPE	7H X 6V	6H X 6V	6H X 6V	7H X 6V	6H X 6V	6H X 6V	7H X 6V	6H X 6V	6H X 6V
INPUT WATTS	16.8W	18.2W	16.8W	16.1W	16W	16.1W	16.6W	16.6W	16.6W
LUMENS	2,385	2,547	2,324	2,559	2,495	2,298	2,510	2,700	2,260
EFFICACY	142	140.5	138.3	158.9	155.9	142.7	151.2	148.9	136.1
CRI	81	82	82	84	83	83	82	83	82
VOLTAGE RATINGS	120-277V								

X22-20 @ 13W	3000K			4000K			5000K		
BEAM SETTING	90°	75°	55°	90°	75°	55°	90°	75°	55°
BEAM ANGLE	93°	77°	57°	93°	77°	57°	93°	77°	57°
NEMA TYPE	7H X 6V	6H X 6V	6H X 6V	7H X 6V	6H X 6V	6H X 6V	7H X 6V	6H X 6V	6H X 6V
INPUT WATTS	13W	12.9W	13W	12.4W	12.3W	12.4W	12.8W	12.7W	12.9W
LUMENS	1,891	1,847	1,679	2,029	1,983	1,808	1,990	1,943	1,778
EFFICACY	145.5	143.2	129.2	163.6	161.2	145.8	155.5	153.0	137.8
CRI	82	81	82	84	83	83	82	82	82
VOLTAGE RATINGS	120-277V								

X22-20 @ 10W	3000K			4000K			5000K		
BEAM SETTING	90°	75°	55°	90°	75°	55°	90°	75°	55°
BEAM ANGLE	93°	77°	57°	93°	77°	57°	93°	77°	57°
NEMA TYPE	7H X 6V	6H X 6V	6H X 6V	7H X 6V	6H X 6V	6H X 6V	7H X 6V	6H X 6V	6H X 6V
INPUT WATTS	9.9W	10W	10W	9.6W	9.5W	9.6W	10W	9.9W	9.9W
LUMENS	1,551	1,441	1,310	1,581	1,547	1,410	1,474	1,723	1,516
EFFICACY	156.7	144.1	131.0	164.7	162.8	146.9	147.4	159	153.1
CRI	82	82	81	84	83	83	82	83	82
VOLTAGE RATINGS	120-277V								

X22 5-Way Selectable Floodlight



PERFORMANCE

X22-35 @ 35W	3000K			4000K			5000K		
BEAM SETTING	90°	75°	55°	90°	75°	55°	90°	75°	55°
BEAM ANGLE	91°	79°	58°	91°	79°	58°	91°	79°	58°
NEMA TYPE	7H X 6V	6H X 6V	6H X 6V	7H X 6V	6H X 6V	6H X 6V	7H X 6V	6H X 6V	6H X 6V
INPUT WATTS	35.6W	35.7W	35.7W	33.9W	33.9W	34W	35.3W	35.3W	35.3W
LUMENS	4,958	4,803	4,493	5,286	5,135	4,791	5,091	4,948	4,609
EFFICACY	139.3	134.5	125.9	155.9	151.5	140.9	144.2	140.2	130.6
CRI	81	81	81	84	84	83	82	82	82
VOLTAGE RATINGS	120-277V								

X22-35 @ 30W	3000K			4000K			5000K		
BEAM SETTING	90°	75°	55°	90°	75°	55°	90°	75°	55°
BEAM ANGLE	91°	79°	58°	91°	79°	58°	91°	79°	58°
NEMA TYPE	7H X 6V	6H X 6V	6H X 6V	7H X 6V	6H X 6V	6H X 6V	7H X 6V	6H X 6V	6H X 6V
INPUT WATTS	31.4W	31.3W	31.4W	29.9W	29.7W	29.9W	31.1W	30.9W	31W
LUMENS	4,375	4,241	3,967	4,664	4,534	4,230	4,492	4,369	4,069
EFFICACY	139.3	135.5	126.3	156.0	152.7	141.5	144.4	141.4	131.3
CRI	81	81	82	84	84	83	82	82	82
VOLTAGE RATINGS	120-277V								

X22-35 @ 25W	3000K			4000K			5000K		
BEAM SETTING	90°	75°	55°	90°	75°	55°	90°	75°	55°
BEAM ANGLE	91°	79°	58°	91°	79°	58°	91°	79°	58°
NEMA TYPE	7H X 6V	6H X 6V	6H X 6V	7H X 6V	6H X 6V	6H X 6V	7H X 6V	6H X 6V	6H X 6V
INPUT WATTS	25.9W	25.8W	25.8W	24.7W	24.5W	24.6W	25.7W	25.5W	25.5W
LUMENS	3,756	3,647	3,412	4,004	3,899	3,638	3,857	3,757	3,500
EFFICACY	145	141.4	132.2	162.1	159.1	147.9	150.1	147.3	137.3
CRI	81	81	82	84	84	83	82	82	82
VOLTAGE RATINGS	120-277V								

X22-35 @ 20W	3000K			4000K			5000K		
BEAM SETTING	90°	75°	55°	90°	75°	55°	90°	75°	55°
BEAM ANGLE	91°	79°	58°	91°	79°	58°	91°	79°	58°
NEMA TYPE	7H X 6V	6H X 6V	6H X 6V	7H X 6V	6H X 6V	6H X 6V	7H X 6V	6H X 6V	6H X 6V
INPUT WATTS	20.7W	20.7W	20.7W	19.7W	19.7W	19.7W	20.5W	20.5W	20.5W
LUMENS	3,118	3,027	2,832	3,324	3,236	3,020	3,202	3,118	2,905
EFFICACY	150.6	146.2	136.8	168.7	164.3	153.3	156.2	154.3	141.7
CRI	81	81	81	84	84	83	82	83	82
VOLTAGE RATINGS	120-277V								

X22 5-Way Selectable Floodlight



PERFORMANCE

X22-60 @ 60W	3000K			4000K			5000K		
BEAM SETTING	90°	75°	55°	90°	75°	55°	90°	75°	55°
BEAM ANGLE	91°	76°	57°	91°	76°	57°	91°	76°	57°
NEMA TYPE	7H X 6V	6H X 6V	6H X 6V	7H X 6V	6H X 6V	6H X 6V	7H X 6V	6H X 6V	6H X 6V
INPUT WATTS	62.1W	61.6W	61.2W	58.8W	58.8W	58.5W	61W	60.9W	60.9W
LUMENS	8,686	8,410	7,630	9,353	9,149	8,313	9,004	8,803	8,038
EFFICACY	139.9	136.5	124.7	159.1	155.6	142.1	147.6	144.5	132.0
CRI	81	82	81	84	84	84	82	82	82
VOLTAGE RATINGS	120-277V								

X22-60 @ 50W	3000K			4000K			5000K		
BEAM SETTING	90°	75°	55°	90°	75°	55°	90°	75°	55°
BEAM ANGLE	91°	76°	57°	91°	76°	57°	91°	76°	57°
NEMA TYPE	7H X 6V	6H X 6V	6H X 6V	7H X 6V	6H X 6V	6H X 6V	7H X 6V	6H X 6V	6H X 6V
INPUT WATTS	53.6W	53.8W	54W	50.8W	51.4W	51.6	52.7W	53.2W	53.7W
LUMENS	7,620	7,494	6,879	8,205	8,153	7,495	7,899	7,844	7,247
EFFICACY	142.2	139.3	127.4	161.5	158.6	145.3	149.9	147.4	135.0
CRI	81	82	82	84	84	84	82	82	82
VOLTAGE RATINGS	120-277V								

X22-60 @ 40W	3000K			4000K			5000K		
BEAM SETTING	90°	75°	55°	90°	75°	55°	90°	75°	55°
BEAM ANGLE	91°	76°	57°	91°	76°	57°	91°	76°	57°
NEMA TYPE	7H X 6V	6H X 6V	6H X 6V	7H X 6V	6H X 6V	6H X 6V	7H X 6V	6H X 6V	6H X 6V
INPUT WATTS	43.6W	43.6W	43.8W	41.3W	41.6W	41.9W	42.8W	41.3W	43.6W
LUMENS	6,369	6,257	5,746	6,858	6,807	6,260	6,602	6,549	6,053
EFFICACY	146.1	143.5	131.2	166.1	163.6	149.4	154.3	151.9	138.8
CRI	81	81	81	84	84	84	82	82	82
VOLTAGE RATINGS	120-277V								

X22-60 @ 30W	3000K			4000K			5000K		
BEAM SETTING	90°	75°	55°	90°	75°	55°	90°	75°	55°
BEAM ANGLE	91°	76°	57°	91°	76°	57°	91°	76°	57°
NEMA TYPE	7H X 6V	6H X 6V	6H X 6V	7H X 6V	6H X 6V	6H X 6V	7H X 6V	6H X 6V	6H X 6V
INPUT WATTS	32.9W	33W	33W	31.2W	31.5W	31.5W	32.3W	32.6W	32.8W
LUMENS	4,885	4,799	4,405	5,260	5,221	4,799	5,064	5,023	4,641
EFFICACY	148.5	145.4	133.5	168.6	165.7	152.3	156.8	154.1	141.5
CRI	82	81	81	84	84	84	82	82	82
VOLTAGE RATINGS	120-277V								

X22 5-Way Selectable Floodlight



PERFORMANCE

X22-80 @ 80W	3000K			4000K			5000K		
BEAM SETTING	90°	75°	55°	90°	75°	55°	90°	75°	55°
BEAM ANGLE	93°	80°	57°	93°	80°	57°	93°	80°	57°
NEMA TYPE	7H X 6V	6H X 6V	6H X 6V	7H X 6V	6H X 6V	6H X 6V	7H X 6V	6H X 6V	6H X 6V
INPUT WATTS	83W	82.6W	82.6W	79.6W	79.5W	79.4W	82.1W	82W	82W
LUMENS	11,723	11,305	10,537	12,772	12,315	11,522	12,282	11,842	11,096
EFFICACY	141.2	136.9	127.6	160.5	154.9	145.1	149.6	144.4	135.3
CRI	81	81	81	84	83	83	82	82	83
VOLTAGE RATINGS	120-277V								

X22-80 @ 70W	3000K			4000K			5000K		
BEAM SETTING	90°	75°	55°	90°	75°	55°	90°	75°	55°
BEAM ANGLE	93°	80°	57°	93°	80°	57°	93°	80°	57°
NEMA TYPE	7H X 6V	6H X 6V	6H X 6V	7H X 6V	6H X 6V	6H X 6V	7H X 6V	6H X 6V	6H X 6V
INPUT WATTS	73W	72.9W	72.9W	70W	70.2W	70.1W	72.2W	72.4W	72.4W
LUMENS	10,507	10,170	9,525	11,447	11,079	10,415	11,008	10,653	10,030
EFFICACY	143.9	139.5	130.7	163.5	157.8	148.6	152.5	147.1	138.5
CRI	81	81	81	84	83	83	82	82	83
VOLTAGE RATINGS	120-277V								

X22-80 @ 60W	3000K			4000K			5000K		
BEAM SETTING	90°	75°	55°	90°	75°	55°	90°	75°	55°
BEAM ANGLE	93°	80°	57°	93°	80°	57°	93°	80°	57°
NEMA TYPE	7H X 6V	6H X 6V	6H X 6V	7H X 6V	6H X 6V	6H X 6V	7H X 6V	6H X 6V	6H X 6V
INPUT WATTS	63.7W	63.7W	63.7W	61.1W	61.3W	61.2W	63W	63.2W	63.2W
LUMENS	9,378	9,071	8,511	10,217	9,881	9,307	9,825	9,502	8,963
EFFICACY	147.2	142.4	133.6	167.2	161.2	152.1	156.0	150.3	141.8
CRI	81	82	82	84	83	83	82	82	83
VOLTAGE RATINGS	120-277V								

X22-80 @ 50W	3000K			4000K			5000K		
BEAM SETTING	90°	75°	55°	90°	75°	55°	90°	75°	55°
BEAM ANGLE	93°	80°	57°	93°	80°	57°	93°	80°	57°
NEMA TYPE	7H X 6V	6H X 6V	6H X 6V	7H X 6V	6H X 6V	6H X 6V	7H X 6V	6H X 6V	6H X 6V
INPUT WATTS	52.7W	52.7W	52.7W	50.5W	50.7W	50.7W	52.1W	52.3W	52.3W
LUMENS	7,928	7,661	7,193	8,637	8,345	7,865	8,306	8,025	7,575
EFFICACY	150.4	145.4	136.5	171.0	164.6	155.1	159.4	153.4	144.8
CRI	81	81	81	84	83	83	82	82	83
VOLTAGE RATINGS	120-277V								

X22 5-Way Selectable Floodlight



PERFORMANCE

X22-150 @ 150W	3000K			4000K			5000K		
BEAM SETTING	90°	75°	55°	90°	75°	55°	90°	75°	55°
BEAM ANGLE	88°	72°	57°	88°	72°	57°	88°	72°	57°
NEMA TYPE	7H X 6V	6H X 6V	6H X 5V	7H X 6V	6H X 6V	6H X 5V	7H X 6V	6H X 6V	6H X 5V
INPUT WATTS	151.4W	151.3W	150.8W	144.8W	144.8W	144.6W	149.8W	149.8W	19.7W
LUMENS	20,837	20,548	18,487	22,797	22,493	20,305	21,836	21,542	19,482
EFFICACY	137.6	135.8	122.6	157.4	155.3	140.4	145.8	143.8	130.1
CRI	81	81	81	84	83	83	82	82	82
VOLTAGE RATINGS	120-277V								

X22-150 @ 125W	3000K			4000K			5000K		
BEAM SETTING	90°	75°	55°	90°	75°	55°	90°	75°	55°
BEAM ANGLE	88°	72°	57°	88°	72°	57°	88°	72°	57°
NEMA TYPE	7H X 6V	6H X 6V	6H X 5V	7H X 6V	6H X 6V	6H X 5V	7H X 6V	6H X 6V	6H X 5V
INPUT WATTS	128.8W	128.8W	129W	123.2W	123.3W	123.7W	127.4W	127.5W	128.1W
LUMENS	18,245	18,057	16,385	19,961	19,766	17,996	19,120	18,930	17,267
EFFICACY	141.7	140.2	127.0	162.0	160.3	145.5	150.1	148.5	134.8
CRI	81	82	81	84	83	83	82	82	82
VOLTAGE RATINGS	120-277V								

X22-150 @ 100W	3000K			4000K			5000K		
BEAM SETTING	90°	75°	55°	90°	75°	55°	90°	75°	55°
BEAM ANGLE	88°	72°	57°	88°	72°	57°	88°	72°	57°
NEMA TYPE	7H X 6V	6H X 6V	6H X 5V	7H X 6V	6H X 6V	6H X 5V	7H X 6V	6H X 6V	6H X 5V
INPUT WATTS	104.8W	104.8W	104.9W	100.2W	100.3W	100.6W	103.7W	103.8W	104.1W
LUMENS	15,425	15,275	13,860	16,876	16,721	15,223	16,165	16,014	14,606
EFFICACY	147.2	145.8	132.1	168.4	166.7	151.3	155.9	154.3	140.3
CRI	81	82	82	84	83	83	82	82	82
VOLTAGE RATINGS	120-277V								

X22-150 @ 75W	3000K			4000K			5000K		
BEAM SETTING	90°	75°	55°	90°	75°	55°	90°	75°	55°
BEAM ANGLE	92°	72°	57°	92°	72°	57°	92°	72°	57°
NEMA TYPE	7H X 6V	6H X 6V	6H X 5V	7H X 6V	6H X 6V	6H X 5V	7H X 6V	6H X 6V	6H X 5V
INPUT WATTS	76.3W	76.3W	76.3W	73W	73W	73.2W	75.5W	75.5W	75.7W
LUMENS	11,768	11,643	10,584	12,875	12,745	11,625	12,332	12,206	11,154
EFFICACY	154.2	152.6	138.7	176.4	174.6	158.8	163.3	161.7	147.3
CRI	82	81	82	84	83	83	82	82	82
VOLTAGE RATINGS	120-277V								

X22 5-Way Selectable Floodlight



PERFORMANCE

X22-150 @ 150W	3000K			4000K			5000K		
BEAM SETTING	90°	75°	55°	90°	75°	55°	90°	75°	55°
BEAM ANGLE	88°	72°	57°	88°	72°	57°	88°	72°	57°
NEMA TYPE	7H X 6V	6H X 6V	6H X 5V	7H X 6V	6H X 6V	6H X 5V	7H X 6V	6H X 6V	6H X 5V
INPUT WATTS	151.5W	151.4W	151.3W	145.2W	145.3W	145.1W	150.2W	150.2W	150.1W
LUMENS	21,005	20,743	18,760	22,940	22,743	20,528	21,960	21,751	19,587
EFFICACY	138.6	137.0	124.0	158.0	156.5	141.5	146.2	144.8	130.5
CRI	81	81	81	84	83	83	82	82	82
VOLTAGE RATINGS	480V								

X22-150 @ 125W	3000K			4000K			5000K		
BEAM SETTING	90°	75°	55°	90°	75°	55°	90°	75°	55°
BEAM ANGLE	88°	72°	57°	88°	72°	57°	88°	72°	57°
NEMA TYPE	7H X 6V	6H X 6V	6H X 5V	7H X 6V	6H X 6V	6H X 5V	7H X 6V	6H X 6V	6H X 5V
INPUT WATTS	128.9W	128.9W	129.4W	123.5W	123.7W	128.1W	127.7W	127.8W	128.4W
LUMENS	18,392	18,228	16,627	20,086	19,986	18,194	19,229	19,114	17,360
EFFICACY	142.7	141.4	128.5	162.6	161.6	146.6	150.6	149.6	135.2
CRI	81	81	81	84	83	83	82	82	82
VOLTAGE RATINGS	480V								

X22-150 @ 100W	3000K			4000K			5000K		
BEAM SETTING	90°	75°	55°	90°	75°	55°	90°	75°	55°
BEAM ANGLE	88°	72°	57°	88°	72°	57°	88°	72°	57°
NEMA TYPE	7H X 6V	6H X 6V	6H X 5V	7H X 6V	6H X 6V	6H X 5V	7H X 6V	6H X 6V	6H X 5V
INPUT WATTS	100.7W	100.8W	100.8W	96.5W	96.7W	96.7W	99.8W	100W	100W
LUMENS	14,714	14,615	13,194	16,069	16,024	14,437	15,383	15,325	13,776
EFFICACY	146.1	145.0	130.9	166.5	165.7	149.3	154.1	153.3	137.8
CRI	81	82	82	84	83	83	82	82	83
VOLTAGE RATINGS	480V								

X22-150 @ 75W	3000K			4000K			5000K		
BEAM SETTING	90°	75°	55°	90°	75°	55°	90°	75°	55°
BEAM ANGLE	92°	72°	57°	92°	72°	57°	92°	72°	57°
NEMA TYPE	7H X 6V	6H X 6V	6H X 5V	7H X 6V	6H X 6V	6H X 5V	7H X 6V	6H X 6V	6H X 5V
INPUT WATTS	72.4W	72.5W	72.5W	69.4W	69.6W	69.5W	71.8W	71.9W	71.9W
LUMENS	10,835	10,753	9,731	11,833	11,790	10,648	11,328	11,276	10,160
EFFICACY	149.7	148.3	134.2	170.5	169.4	153.2	157.8	156.8	141.3
CRI	82	81	82	84	83	83	82	82	82
VOLTAGE RATINGS	480V								

X22 5-Way Selectable Floodlight



ORDERING MATRIX

X22 Field-Adjustable Flood Light

Family	Wattage	Mounting	Finish	Optics/NEMA Type	Voltage Rating	Option
X22	-					
	20	20/17/13/10W	BLANK	Knuckle & Yoke (20 & 35W)	BLANK	120-277V
	35	35/30/25/20W	W	Knuckle & Trunnion (60 & 80W)	W	480V *
	60	60/50/40/30W		Slipfitter & Trunnion (150W)		
	80	80/70/60/50W				
	150	150/125/100/75W				

* 480V only available on 150W