

X17 Ultra-Economy Floodlight



3-Way Adjustable:



15W/25W/35W

30W/50W/60W &
40W/60W/80W

50W/75W/105W &
70W/100W/140W

100W/150W/205W &
175W/250W/330W

2-Way Adjustable:



15W-35W

60W-80W

105W-140W

Power Adjustable :



250W-350W-450W



100,000
HOURS



3-WAY
ADJUSTABLE
(15W-330W)



2-WAY
ADJUSTABLE
(15W-140W)



POWER
ADJUSTABLE
(250W-450W)



WET
RATED

PROJECT:

DATE:

TYPE:

PREPARED BY:



KEY FEATURES

- X17 Ultra-economy floodlight comes in three different types:
 - (A) 3-way adjustable:
 - Selectable CCT: (3000K/4000K/5000K)
 - Selectable wattages: 15W/25W/35W, 30W/50W/60W, 40W/60W/80W, 50W/75W/105W, 70W/100W/140W, 100W/150W/205W, 175W/250W/330W
 - Selectable photocell that can be turned on and off
 - (B) 2-way adjustable:
 - Selectable CCT: (3000K/4000K/5000K)
 - Available wattages: 15W, 35W, 60W, 80W, 105W & 140W
 - Selectable photocell that can be turned on and off
 - (C) Power Adjustable:
 - Selectable wattages: 250W/350W/450W
 - Available CCT: 4000K & 5000K
 - Standard twist-lock photocell
- Voltage ratings: 120-277V. 480V only available from 140W-450W.
- Suitable for wet locations

TECHNICAL SPECIFICATIONS

COMPLIANCE

UL Listed

Suitable for wet locations

IP Rating

Ingress protection rating of IP65 for dust and water

PERFORMANCE

Lifespan

100,000-hour LED lifespan based on IES LM-80 results and TM-21 calculations

LED CHARACTERISTICS

LEDs

Long-life, high-efficacy, surface-mount LEDs

Color Uniformity

RAB's range of Correlated Color Temperature follows the guidelines of the American National Standards for Specifications for the Chromaticity of Solid State Lighting (SLL) Products, ANSI C78.377-2017.

CONSTRUCTION

Cold Weather Starting

Minimum starting temperature is -40°C (-40°F)

Maximum Ambient Temperature

Suitable for use in up to 40°C (104°F)

Housing

Precision die-cast aluminum

Mounting

Robust knuckle mount with 180°; adjustable swivel arm. Tilt angle in 10° increments. (Available only on 15W to 80W models)

Slipfitter with 180° pivot available for mounting on 2 3/8" tenon.

Heavy-duty Trunnion mount with stainless steel hardware.

Lens

Tempered glass

Reflector

Polycarbonate

Green Technology

Mercury and UV free. RoHs-compliant components.

Finish

Formulated for high durability and long-lasting color.

NEMA Beam

NEMA Beam Spread of 7H x 7V

X17 Ultra-Economy Floodlight



TECHNICAL SPECIFICATIONS (CONTINUED)

ELECTRICAL

Drivers (3-way adjustable)

Constant Current, Class 2, 120-277V, 50/60 Hz

35W: 120V: 0.35A, 208V: 0.20A, 240V: 0.16A, 277V: 0.14A
60W: 120V: 0.60A, 208V: 0.35A, 240V: 0.30A, 277V: 0.25A
80W: 120V: 0.80A, 208V: 0.50A, 240V: 0.40A, 277V: 0.35A
105W: 120V: 0.87A, 208V: 0.60A, 240V: 0.50A, 277V: 0.38A
140W: 120V: 1.17A, 208V: 0.75A, 240V: 0.65A, 277V: 0.54A
205W: 120V: 1.77A, 208V: 1.10A, 240V: 0.79A, 277V: 0.85A
330W: 120V: 2.79A, 208V: 1.80A, 240V: 1.60A, 277V: 1.21A

Constant Current, Class 2, 480V, 50/60Hz

140W: 480V: 0.32A
205W: 480V: 0.46A
330W: 480V: 0.73A

Drivers (2-way adjustable)

Constant Current, Class 2, 120-277V, 50/60 Hz

15W: 120V: 0.15A, 208V: 0.08A, 240V: 0.07A, 277V: 0.06A
35W: 120V: 0.35A, 208V: 0.20A, 240V: 0.16A, 277V: 0.14A
60W: 120V: 0.60A, 208V: 0.35A, 240V: 0.28A, 277V: 0.24A
80W: 120V: 0.80A, 208V: 0.45A, 240V: 0.40A, 277V: 0.32A
105W: 120V: 1.00A, 208V: 0.60A, 240V: 0.50A, 277V: 0.42A
140W: 120V: 1.40A, 208V: 0.75A, 240V: 0.65A, 277V: 0.55A

Constant Current, Class 2, 480V, 50/60Hz

140W: 480V: 0.40A

ELECTRICAL

Drivers (Power adjustable)

Constant Current, Class 2, 120-277V, 50/60 Hz

450W: 120V: 3.67A, 208V: 2.40A, 240V: 2.10A, 277V: 1.64A

Constant Current, Class 2, 480V, 50/60Hz

450W: 480V: 0.96A

Driver includes wiring for 0-10V dimming systems. Dim as low as 10%.

OTHER

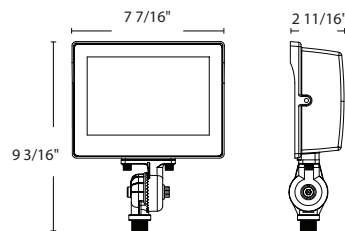
Warranty

The RAB 5-year, limited warranty covers light output, driver performance and paint finish. RAB's warranty is subject to all terms and conditions found at rablighting.com/warranty.

DIMENSIONS : X17 XFU 3-WAY FIELD ADJUSTABLE

X17 15W-35W

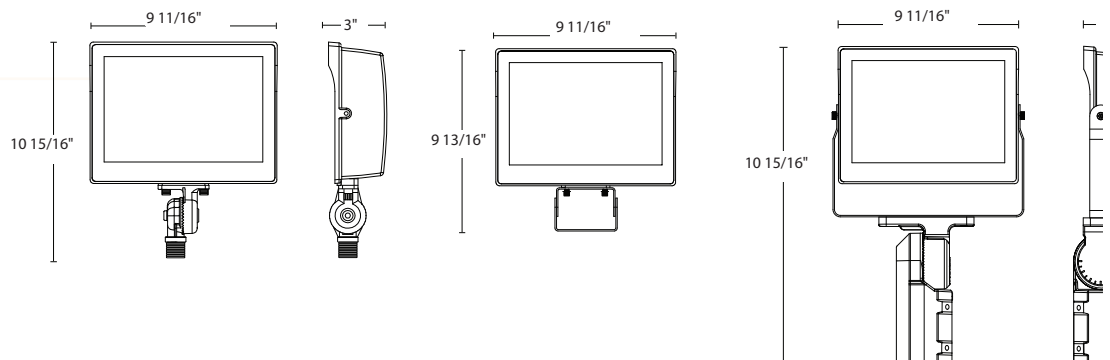
Weight: 2.7 lb



X17 60W-80W

60W-Weight: 4.9 lb

80W-Weight: 5.1 lb



X17 Ultra-Economy Floodlight

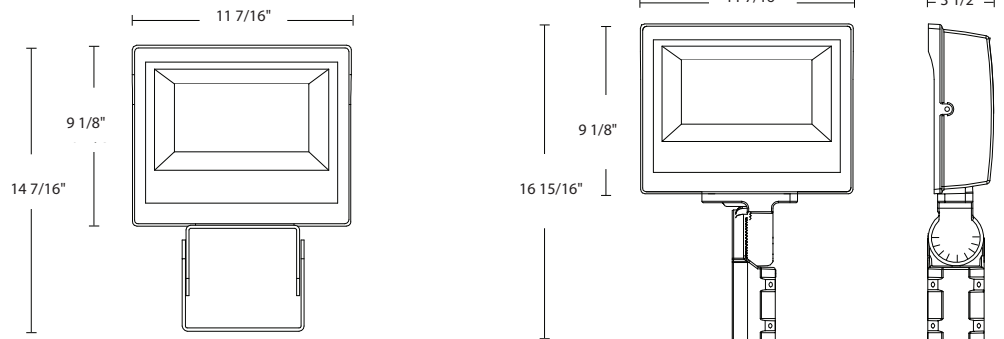


DIMENSIONS : X17 XFU 3-WAY FIELD ADJUSTABLE (CONTINUED)

X17 105W-140W

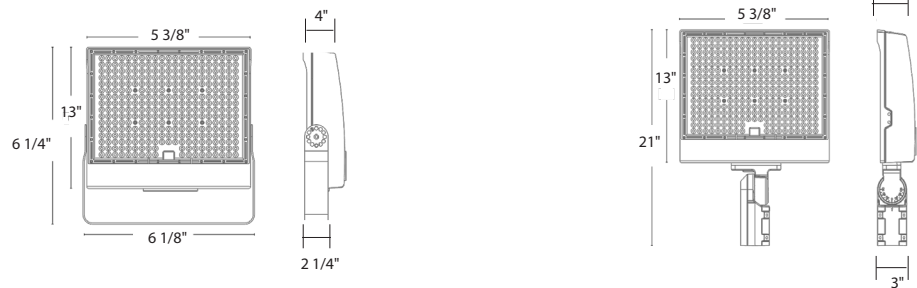
105W- Weight: 9.3 lb

140W-Weight: 10 lb



X17 205W-330W

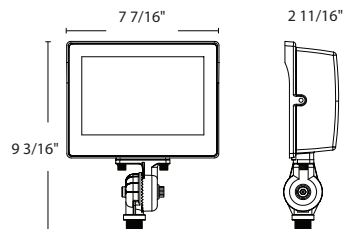
Weight: 18.9 lb



DIMENSIONS : X17 FA 2-WAY ADJUSTABLE

X17 15W-35W

Weight: 2.7 lb



X17 Ultra-Economy Floodlight

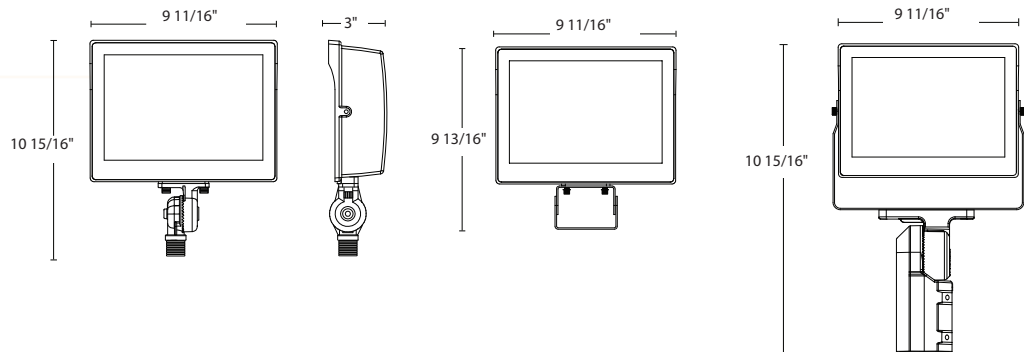


DIMENSIONS : X17 FA 2-WAY ADJUSTABLE (CONTINUED)

X17 60W-80W

60W-Weight: 4.9 lb

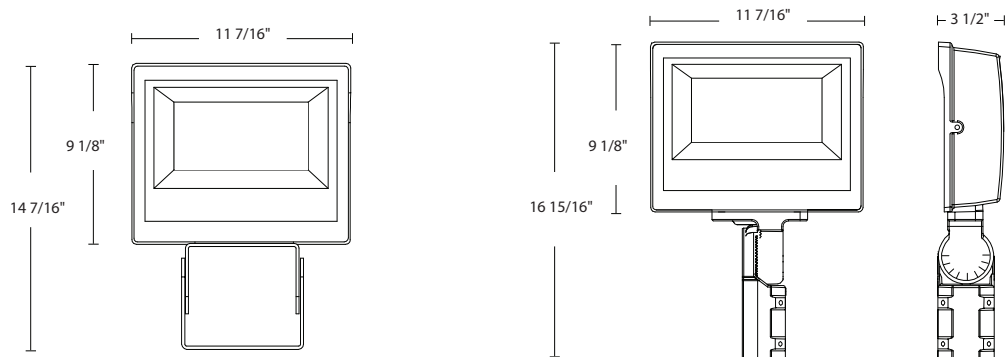
80W-Weight: 5.1 lb



X17 105W-140W

105W-Weight: 9.3 lb

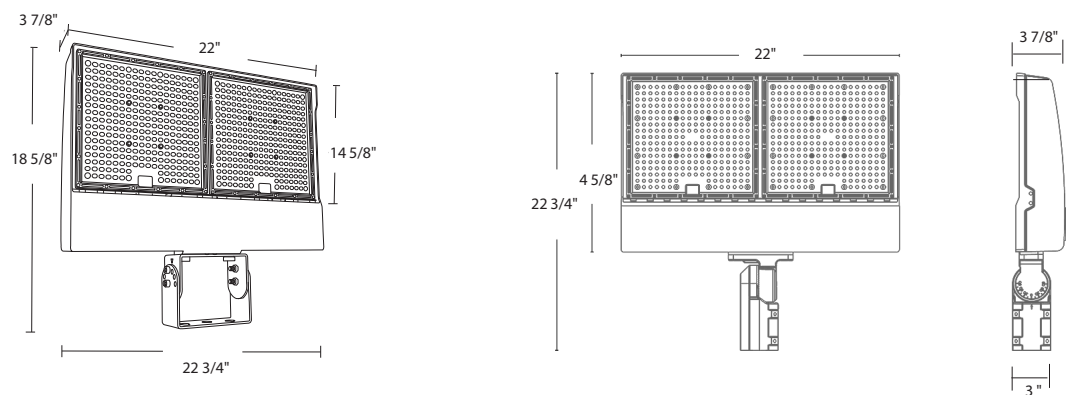
140W-Weight: 10 lb



DIMENSIONS : X17 PA POWER ADJUSTABLE

X17 450W

Weight: 28.1 lb



X17 Ultra-Economy Floodlight



PERFORMANCE: X17 3-WAY FIELD ADJUSTABLE

X17 35W	3000K	4000K	5000K	3000K	4000K	5000K	3000K	4000K	5000K
Wattage	35W			25W			15W		
Input Watts	35.15W	33.97W	35.18W	25.14W	24.36W	25.23W	15.13W	14.78W	15.24W
Lumens	4,846	5,011	4,966	3,745	3,855	3,840	2,305	2,420	2,402
Lm/W	137.9	148.1	141.2	149.0	158.3	152.2	152.3	163.7	157.6
CRI	82	83	81	82	83	84	82	83	81
Voltage Ratings	120-277V								

X17 60W	3000K	4000K	5000K	3000K	4000K	5000K	3000K	4000K	5000K
Wattage	60W			50W			30W		
Input Watts	61.78W	58.72W	61.97W	51.31W	49.62W	51.24W	31.24W	29.63W	31.33W
Lumens	8,818	9,041	9,142	7,519	7,823	7,749	4,793	4,829	4,929
Lm/W	142.7	154.0	147.5	146.5	157.7	151.2	153.4	163.0	157.3
CRI	82	82	81	81	81	83	83	83	82
Voltage Ratings	120-277V								

X17 80W	3000K	4000K	5000K	3000K	4000K	5000K	3000K	4000K	5000K
Wattage	80W			60W			40W		
Input Watts	81.20W	79.96W	81.36W	61.66W	59.62W	61.89W	41.23W	39.07W	41.44W
Lumens	11,468	12,215	12,084	9,107	9,532	9,430	6,342	6,404	6,561
Lm/W	141.2	152.8	148.5	147.7	159.9	152.4	153.8	163.9	158.3
CRI	82	81	83	82	83	83	82	81	83
Voltage Ratings	120-277V								

X17 105W	3000K	4000K	5000K	3000K	4000K	5000K	3000K	4000K	5000K
Wattage	105W			75W			50W		
Input Watts	106.9W	104.62W	107.3W	76.53W	74.31W	76.98W	52.13W	49.72W	52.91W
Lumens	15,217	16,249	15,679	11,581	12,107	12,034	8,154	8,252	8,535
Lm/W	142.4	155.3	146.1	151.3	162.9	156.3	156.4	166.0	161.3
CRI	83	82	82	81	83	83	83	82	82
Voltage Ratings	120-277V								

X17 140W	3000K	4000K	5000K	3000K	4000K	5000K	3000K	4000K	5000K
Wattage	140W			100W			70W		
Input Watts	141.07W	136.19W	141.98W	101.47W	98.32W	102.15W	72.56W	69.87W	72.89W
Lumens	20,155	21,118	20,892	15,436	15,940	15,927	11,345	11,635	11,714
160.7Lm/W	142.9	155.1	147.2	152.1	162.1	155.9	156.4	166.5	160.7
CRI	82	82	83	83	82	81	82	82	83
Voltage Ratings	120-277V								

X17 Ultra-Economy Floodlight



PERFORMANCE: X17 3-WAY FIELD ADJUSTABLE (CONTINUED)

X17 140W	3000K	4000K	5000K	3000K	4000K	5000K	3000K	4000K	5000K
Wattage	140W			100W			70W		
Input Watts	141.97W	137.31W	142.28W	102.14W	98.72W	102.27W	71.93W	68.56W	71.84W
Lumens	20,113	21,264	20,908	15,594	15,921	15,977	11,323	11,404	11,519
Lm/W	141.7	154.9	147.0	152.7	161.3	156.2	157.4	166.3	160.3
CRI	82	83	83	82	83	82	82	83	83
Voltage Ratings	480V								

X17 205W	3000K	4000K	5000K	3000K	4000K	5000K	3000K	4000K	5000K
Wattage	205W			150W			100W		
Input Watts	207.17W	198.74W	207.76W	152.96	148.35	153.19	102.31	99.63W	102.98W
Lumens	28,747	31,164	30,769	21,908	23,964	23,777	16,530	17,466	17,437
Lm/W	138.8	156.8	148.1	143.2	161.5	155.2	161.6	175.3	169.3
CRI	81	83	83	82	82	82	783	82	82
Voltage Ratings	120-277V								

X17 205W	3000K	4000K	5000K	3000K	4000K	5000K	3000K	4000K	5000K
Wattage	205W			150W			100W		
Input Watts	210.73W	205.45W	211.02W	151.36W	147.65W	151.89W	102.31W	98.63W	102.98W
Lumens	28,649	31,878	30,834	21,584	24,002	23,742	16,448	17,193	17,395
Lm/W	136.0	155.2	146.1	142.6	162.6	156.3	160.8	174.3	168.9
CRI	82	81	83	83	82	82	82	82	83
Voltage Ratings	480V								

X17 330W	3000K	4000K	5000K	3000K	4000K	5000K	3000K	4000K	5000K
Wattage	330W			250W			175W		
Input Watts	328.66W	315.69W	328.73W	253.18W	247.12W	253.18W	176.98W	173.61W	177.53W
Lumens	44,856	49,131	48,770	37,653	39,942	39,120	28,950	30,489	30,024
Lm/W	136.5	155.6	148.4	148.7	161.6	154.2	163.6	175.6	169.1
CRI	83	82	82	82	82	83	81	83	83
Voltage Ratings	120-277V								

X17 330W	3000K	4000K	5000K	3000K	4000K	5000K	3000K	4000K	5000K
Wattage	330W			250W			175W		
Input Watts	332.21W	319.03W	331.92W	255.25W	249.45W	254.76W	177.68W	174.21W	177.86W
Lumens	45,616	49,708	48,822	37,680	40,224	39,419	28,868	30,426	29,937
Lm/W	137.3	155.8	147.1	147.6	161.3	154.7	162.5	174.7	168.3
CRI	82	82	83	81	83	83	82	82	82
Voltage Ratings	480V								

X17 Ultra-Economy Floodlight



PERFORMANCE : X17 FIELD ADJUSTABLE

X17 15W	3000K	4000K	5000K
Wattage	15W	15W	15W
Input Watts	15.28W	14.68W	15.3W
Lumens	2,123	2,218	2,177
Lm/W	139	151.1	142.3
CRI	82	83	81
Voltage Ratings	120-277V		

X17 35W	3000K	4000K	5000K
Wattage	35W	35W	35W
Input Watts	35.15W	33.97W	35.18W
Lumens	4,846	5,031	4,966
Lm/W	137.9	148.1	141.2
CRI	82	83	81
Voltage Ratings	120-277V		

X17 60W	3000K	4000K	5000K
Wattage	60W	60W	60W
Input Watts	61.78W	58.72W	61.97W
Lumens	8,818	9,041	9,142
Lm/W	142.7	154.0	147.5
CRI	82	82	81
Voltage Ratings	120-277V		

X17 80W	3000K	4000K	5000K
Wattage	80W	80W	80W
Input Watts	81.2W	79.96W	81.36W
Lumens	11,468	12,215	12,084
Lm/W	141.2	152.8	148.5
CRI	82	81	83
Voltage Ratings	120-277V		

X17 105W	3000K	4000K	5000K
Wattage	105W	105W	105W
Input Watts	106.9W	104.62W	107.30W
Lumens	15,217	16,249	15,679
Lm/W	142.4	155.3	146.1
CRI	83	82	82
Voltage Ratings	120-277V		

X17 140W	3000K	4000K	5000K
Wattage	140W	140W	140W
Input Watts	142.6W	136.9W	142.6W
Lumens	18,292	19,532	18,898
Lm/W	128	143	133
CRI	83	85	84
Voltage Ratings	120-277V		

X17 140W	3000K	4000K	5000K
Wattage	140W		
Input Watts	141.97W	137.31W	142.28W
Lumens	20,113	21,264	20,908
Lm/W	141.7	154.9	147.0
CRI	82	83	83
Voltage Ratings	480V		

X17 Ultra-Economy Floodlight



PERFORMANCE: X17 PA POWER ADJUSTABLE

X17 450W	4000K	5000K	4000K	5000K	4000K	5000K
Wattage	450W		350W		250W	
Input Watts	454.91W	454.87W	352.64	352.74	254.31	254.69
Lumens	66,130	66,638	53,728	53,853	41,506	41,700
Lm/W	145.4	146.5	152.4	152.7	163.2	163.7
CRI	81	83	82	81	83	82
Voltage Ratings	120-277V					

X17 450W	4000K	5000K	4000K	5000K	4000K	5000K
Wattage	450W		350W		250W	
Input Watts	445.7W	445.65W	351.69W	351.2W	253.69W	253.87W
Lumens	65,432	65,225	53,615	53,720	41,329	41,630
Lm/W	146.8	146.4	152.5	153.0	162.9	164.0
CRI	82	82	83	82	82	82
Voltage Ratings	120-277V					

ORDERING MATRIX

X17XFU

Family	Wattage	Mounting	Finish	Voltage Rating	Option
X17XFU					
35	35W/25W/15W	BLANK	Knuckle ¹	BLANK	BLANK
60	60W/50W/30W	SF	Slipfitter ²	120-277V	No option
80	80W/60W/40W	T	Trunnion ²	480V ⁴	/PCT Twist-lock Photocell ⁵
105	105W/75W/50W				
140	140W/100W/70W				
205	205W/150W/100W				
330	330W/200W/175W				

¹ Knuckle mount only on: XFJ35, XFJ60 & XFJ80 Models
² Slipfitter & Trunnion not available on: XFJ35 Models
³ Not available on: XFJ205 & XFJ330 Models
⁴ 480V only available on: XFJ205 & XFJ330 Models
⁵ Photocell available only on: XFJ205 & XFJ330 Models

X17FA

Family	Wattage	Mounting	Finish	Voltage Rating
X17FA				
15	15W	BLANK	Knuckle ¹	BLANK
35	35W	SF	Slipfitter ²	120-277V
60	60W	T	Trunnion ²	480V ³
80	80W			
105	105W			
140	140W			

¹ Knuckle mount only on: 15W-80W
² Slipfitter & Trunnion not available on: 15W-35W
³ 480V only available on 140W

X17PA

Family	Wattage	CCT	Mounting	Finish	Voltage Rating	Option
X17PA	450					/PCT
450	450W/350W/250W	BLANK N	5000K 4000K	SF T	Slipfitter Trunnion	BLANK Bronze
				BLANK /480	120-277V 480V	/PCT Twist-lock Photocell