



Color: Gray

Weight: 11.6 lbs

<b>Project:</b>	<b>Type:</b>
<b>Prepared By:</b>	<b>Date:</b>

Driver Info		LED Info	
Type	Constant Current	Watts	30W
120V	0.25A	Color Temp	5000K
208V	0.15A	Color Accuracy	83 CRI
240V	0.13A	L70 Lifespan	50,000 Hours
277V	0.12A	Lumens	4,012 lm
Input Watts	29.4W	Efficacy	136.5 lm/W

## Technical Specifications

### Hazardous Location Classifications

#### Class 1, Division 2 (Groups A, B, C, D):

Class 1 (Hazardous Material in Surrounding Atmosphere):

Flammable vapors or gases may be present

Division 2 (Presence of Hazardous Materials):

Ignitable concentrations of hazards exist only under accidental system breakdowns or abnormal operating conditions

Groups A, B, C, D (Hazardous Material in Surrounding Atmosphere):

A = Acetylene

B = Hydrogen, butadiene, ethylene oxide, propylene oxide and acrolein

C = Ethylene, cyclopropane and ethyl ether

D = Acetone, ammonia, benzene, butane, ethanol, gasoline, hexane, methane, methanol, naphta, natural gas, propane & toluene

#### Class 2, Division 1 (Groups E, F, G):

Class 2 (Hazardous Material in Surrounding Atmosphere):

Combustible dust may be present

Division 1 (Presence of Hazardous Materials):

Ignitable concentrations of hazard exists under normal operating conditions

Groups E, F, G (Hazardous Material in Surrounding Atmosphere):

E = Combustible metal dusts: aluminum, commercial alloys and magnesium

F = Combustible carbonaceous dusts: carbon black, charcoal, coal and coke dusts

G = Other combustible dusts: chemicals, flour, grain, plastic and wood

#### Class 2, Division 2 (Groups F, G):

Class 2 (Hazardous Material in Surrounding Atmosphere):

Combustible dust may be present

Division 2 (Presence of Hazardous Materials):

Ignitable concentrations of hazards exist only under accidental system breakdowns or abnormal operating conditions

Groups F, G (Hazardous Material in Surrounding Atmosphere):

F = Combustible carbonaceous dusts: carbon black, charcoal, coal and coke dusts

G = Other combustible dusts: chemicals, flour, grain, plastic and wood

#### Class 3:

Class 3 (Hazardous Material in Surrounding Atmosphere):

Easily ignitable flyings or fibers may be present

#### UL 844:

Electric lighting fixtures for use in hazardous (classified) locations

### Compliance

#### UL Listed:

Suitable for wet locations

#### UL Marine Listed:

Marine Listed Outside Type (Saltwater)

#### IP Rating:

Ingress protection rating of IP66 for dust and water

#### DLC Listed:

This product is on the Design Lights Consortium (DLC) Qualified Products List and is eligible for rebates from DLC Member Utilities. Designed to meet DLC 5.1 requirements.

DLC Product Code: S-BM8ZX1

## Technical Specifications (continued)

### Electrical

**Dimming Driver:**

Driver includes dimming control wiring for 0-10V dimming systems. Requires separate 0-10V DC dimming circuit. Dims down to 10%.

**THD:**

1.56% at 120V, 4.37% at 277V

**Power Factor:**

99.6% at 120V, 91.4% at 277V

**Surge Protection:**

4kV

**Tilt:**

90°

### Construction

**Housing:**

Stainless steel

**Mounting:**

Two mounting options included: stainless steel, surface mount brackets or aircraft cable for suspended mount.

**Rated Ambient Temperature Range:**

-40°C (-40°F) to 50°C (122°F), T6

**Lens:**

Clear polycarbonate\* lens.

\*Polycarbonate is affected by cleaning agents or other liquids containing partial solvents such as low molecular weight aldehydes and ethers, ketones, esters, aromatic hydrocarbons and perchlorinated hydrocarbons. [Click here for a detailed list of damaging chemicals.](#)

**Maximum Ambient Temperature:**

Suitable for use in up to 50°C (122°F)

**Cold Weather Starting:**

The minimum starting temperature is -40°C (-40°F)

**Gaskets:**

High-temperature silicone

**Green Technology:**

Mercury and UV free. RoHS-compliant components.

**Finish:**

Formulated for high durability and long-lasting color

### LED Characteristics

**LEDs:**

Long-life, high-efficacy, surface-mount LEDs

**Color Stability:**

LED color temperature is warranted to shift no more than 200K in color temperature over a 5-year period

**Color Uniformity:**

RAB's range of Correlated Color Temperature follows the guidelines of the American National Standard for Specifications for the Chromaticity of Solid State Lighting (SSL) Products, ANSI C78.377-2017.

### Performance

**Lifespan:**

100,000-Hour LED lifespan based on IES LM-80 results and TM-21 calculations

### Other

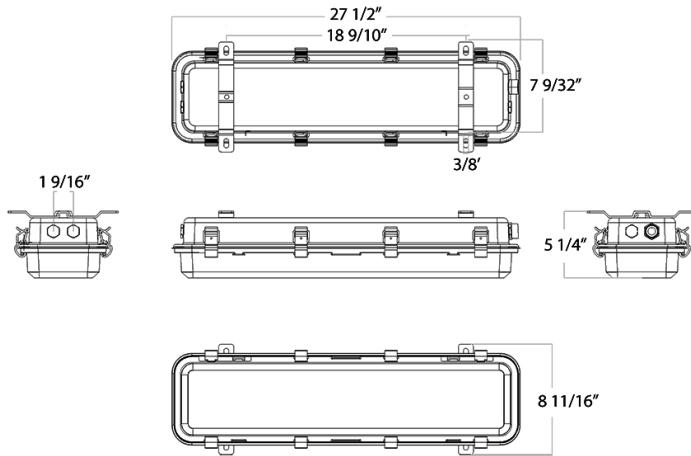
**Warranty:**

RAB warrants that our LED products will be free from defects in materials and workmanship for a period of five (5) years from the date of delivery to the end user, including coverage of light output, color stability, driver performance and fixture finish. RAB's warranty is subject to all terms and conditions found at [rablighting.com/warranty](http://rablighting.com/warranty).

**Buy American Act Compliance:**

RAB values USA manufacturing! Upon request, RAB may be able to manufacture this product to be compliant with the Buy American Act (BAA). Please contact customer service to request a quote for the product to be made BAA compliant.

## Dimensions



## Features

- Class 1, Division 2, Groups A, B, C, D
- Class 2, Division 1, Groups E, F, G
- Class 2, Division 2, Groups F, G
- Class 3
- IP66, UL1598, UL8750 and UL 844 ratings
- DLC Listed
- 50,000-Hour LED lifespan
- 5-Year, no-compromise warranty

## Ordering Matrix

Family	Size/Wattage	Color Temp	Finish	Driver	Options
HAZSHARK	2				
	2 = 2 ft (30W) 4 = 4 ft (50W)	Blank = 5000K	Blank = Gray	Blank = 120-277V, 0-10V Dimming	Blank = No Option /E = Battery Backup