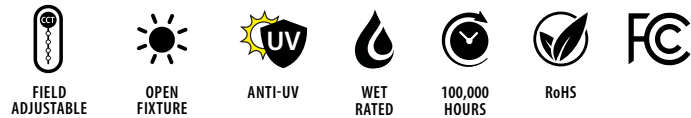


CD34 Field-Adjustable Cylinders



Wall, Surface, and Pendant Mount Cylinders



PROJECT: _____

DATE: _____

TYPE: _____

PREPARED BY: _____



KEY FEATURES

- Available in multiple sizes: 3", 4" and 6"
- Wall, surface, or pendant mount options
- Wall mounts offer 3 selectable CCTs (3000/4000/5000K) and 3 selectable distributions (uplight/downlight/both)
- Surface/pendant mounts offer mounted options offer 5 selectable CCTs(2700/3000/3500/4000/5000K) with downlight only output
- Ideal for both indoor and outdoor applications in dry, damp, and wet environments
- Select models available with 0-10V dimming
- Select models available with photocell
- Pendant mount accessory sold separately

PERFORMANCE

Catalog Number	Color	Lens	Size	Input Wattage	Equivalency	Dimming	Color Temperature	CRI	Input Voltage	L70 Lifespan
CD34FA3W-10-508-KC	Black	Clear	3"	5/10W	65W Incandescent	No	Field adjustable 3000/4000/5000K	80	120-277V	100,000 hours
CD34FA3W-10-508-WC	White									
CD34FA3W-10-508-ZC	Bronze									
CD34FA4W-20-508-KC	Black	Clear	4"	10/20W	100W Incandescent					
CD34FA4W-20-508-WC	White									
CD34FA4W-20-508-ZC	Bronze									
CD34FA6W-36-708-KC	Black	Clear	6"	18/36W	200W Incandescent					
CD34FA6W-36-708-WC	White									
CD34FA6W-36-708-ZC	Bronze									
CD34FA4SP-20-509-KC	Black	Clear	4"	20W	100W Incandescent	Yes, 0-10V continuous dimming	Field adjustable 2700/3000/3500/4000/5000K	90		
CD34FA4SP-20-509-WC	White									
CD34FA4SP-20-509-ZC	Bronze									
CD34FA4SP-20-509-KF	Black	Frosted	4"	20W	100W Incandescent					
CD34FA4SP-20-509-WF	White									
CD34FA4SP-20-509-ZF	Bronze									
CD34FA6SP-30-709-KC	Black	Clear	6"	30W	150W Incandescent					
CD34FA6SP-30-709-WC	White									
CD34FA6SP-30-709-ZC	Bronze									
CD34FA6SP-30-709-KF	Black	Frosted	6"	30W	150W Incandescent					
CD34FA6SP-30-709-WF	White									
CD34FA6SP-30-709-ZF	Bronze									

CD34 Field-Adjustable Cylinders



PERFORMANCE (CONT.)

Catalog Number	Max. Wattage	Wattage FA	CCT	Efficacy	Lumens	Equivalency Wattage
CD34FA3W-10-508-KC CD34FA3W-10-508-WC CD34FA3W-10-508-ZC	10W	5W	3000K	89 Lm/W	452 Lm	65W Incandescent
			4000K	98 Lm/W	475 Lm	
			5000K	95 Lm/W	478 Lm	
		10W	3000K	92 Lm/W	902 Lm	
			4000K	100 Lm/W	943 Lm	
			5000K	97 Lm/W	952 Lm	

Catalog Number	Max. Wattage	Wattage FA	CCT	Efficacy	Lumens	Equivalency Wattage
CD34FA4W-20-508-KC CD34FA4W-20-508-WC CD34FA4W-20-508-ZC	20W	10W	3000K	95 Lm/W	840 Lm	100W Incandescent
			4000K	110 Lm/W	925 Lm	
			5000K	101 Lm/W	897 Lm	
		20W	3000K	94 Lm/W	1693 Lm	
			4000K	92 Lm/W	1679 Lm	
			5000K	100 Lm/W	1817 Lm	

Catalog Number	Max. Wattage	Wattage FA	CCT	Efficacy	Lumens	Equivalency Wattage
CD34FA6W-36-708-KC CD34FA6W-36-708-WC CD34FA6W-36-708-ZC	36W	18W	3000K	95 Lm/W	1676 Lm	200W Incandescent
			4000K	106 Lm/W	1943 Lm	
			5000K	96 Lm/W	1907 Lm	
		36W	3000K	89 Lm/W	3128 Lm	
			4000K	104 Lm/W	3593 Lm	
			5000K	96 Lm/W	3422 Lm	

Catalog Number	Wattage	CCT	Efficacy	Lumens	Equivalency Wattage
CD34FA4SP-20-509-KC CD34FA4SP-20-509-WC CD34FA4SP-20-509-ZC	20W	2700K	76 Lm/W	1506 Lm	100W Incandescent
		3000K	81 Lm/W	1573 Lm	
		3500K	93 Lm/W	1717 Lm	
		4000K	93 Lm/W	1744 Lm	
		5000K	87 Lm/W	1707 Lm	

Catalog Number	Wattage	CCT	Efficacy	Lumens	Equivalency Wattage
CD34FA4SP-20-509-KF CD34FA4SP-20-509-WF CD34FA4SP-20-509-ZF	20W	2700K	70 Lm/W	1386 Lm	100W Incandescent
		3000K	74 Lm/W	1433 Lm	
		3500K	83 Lm/W	1557 Lm	
		4000K	84 Lm/W	1583 Lm	
		5000K	78 Lm/W	1541 Lm	

CD34 Field-Adjustable Cylinders



Catalog Number	Wattage	CCT	Efficacy	Lumens	Equivalency Wattage
CD34FA6SP-30-709-KC CD34FA6SP-30-709-WC CD34FA6SP-30-709-ZC	30W	2700K	75 Lm/W	2252 Lm	150W Incandescent
		3000K	81 Lm/W	2348 Lm	
		3500K	89 Lm/W	2520 Lm	
		4000K	90 Lm/W	2561 Lm	
		5000K	85 Lm/W	2483 Lm	

Catalog Number	Wattage	CCT	Efficacy	Lumens	Equivalency Wattage
CD34FA6SP-30-709-KF CD34FA6SP-30-709-WF CD34FA6SP-30-709-ZF	30W	2700K	68 Lm/W	2030 Lm	150W Incandescent
		3000K	72 Lm/W	2156 Lm	
		3500K	80 Lm/W	2298 Lm	
		4000K	81 Lm/W	2335 Lm	
		5000K	79 Lm/W	2372 Lm	

TECHNICAL SPECIFICATIONS

CONSTRUCTION

Fixture Shape

Cylinder

Fixture Finish

Black, white, and bronze

Housing Material

Cylinder aluminum extrusion/cover aluminum die casting

Gaskets

Gasket included can achieve restrictive airflow and wet location without any additional gasket or caulk.

Lens

Regressed lens constructed from impact resistant polycarbonate. Convex lens gives the optic a similar lamp-like appearance. Provides smooth and diffuse light distribution.

Lens Finish

Clear and frosted*

Beam Angle

3" and 4" models: 50° narrow beam angle
6" models: 70° narrow beam angle

ELECTRICAL

Driver

THD

<20%

Power Factor

>0.9

Input Voltage

120-277V

Operating Frequency

50/60Hz

Operating Temperature

-22°F to 122°F (-30°C to 50°C)

INSTALLATION

Mounting

Wall, Surface, Pendant**

COMPLIANCE

Indoor/Outdoor

Indoor/Outdoor

Environment Rating

Suitable for use in dry, damp, and wet environments.

Fixture Rating

Open

Energy Star Approved

This product is ENERGY STAR® Version 2.2 Certified.

California Energy Commission (CEC) Status

Lawful for sales in California***

IESNA LM-79 & LM80 Testing

RAB LED luminaires and LED components have been tested by an independent laboratory in accordance with IESNA LM-79 and LM-80.

FCC

Complies with Part 15 of the FCC Rules.

RoHS

Mercury and UV free. RoHS-compliant components.

LED CHARACTERISTICS

LEDs

LED array provides a uniform source with high efficiency and no pixilation

* Frosted lens only available on surface/pendant models

** Requires purchase of separate, pendant stem accessory kit

*** Only 90CRI models

CD34 Field-Adjustable Cylinders



TECHNICAL SPECIFICATIONS (CONT.)

OTHER

Warranty

The RAB 5-year, limited warranty covers light output, driver performance and paint finish. RAB's warranty is subject to all terms and conditions found at rablighting.com/warranty.

RAB's warranty is subject to all terms and conditions found at rablighting.com/warranty.

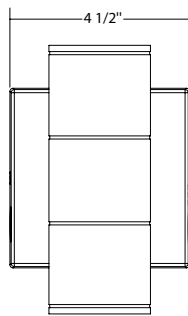
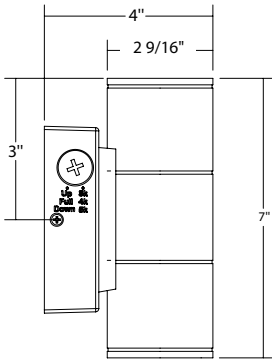
Note

All values are typical (tolerance +/- 10%)

DIMENSIONS

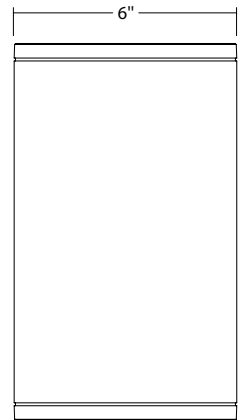
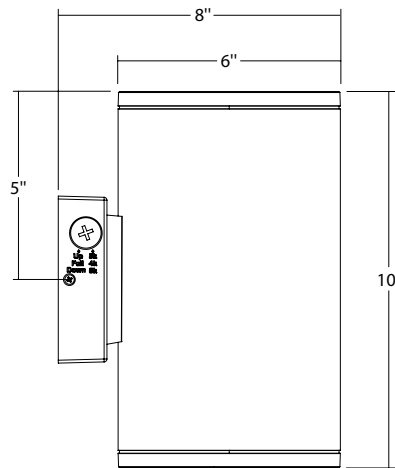
3" Wall Mount 5/10W

Weight: 2.3 lbs



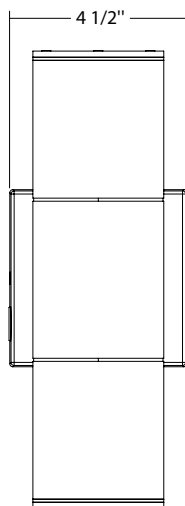
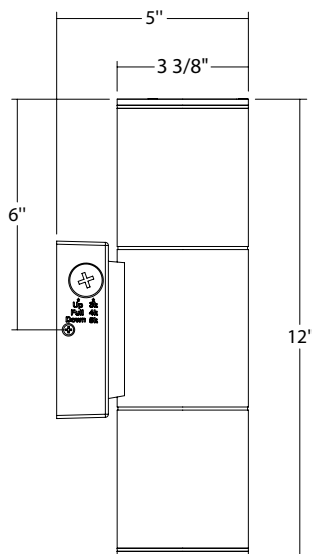
6" Wall Mount 18/36W

Weight: 6 lbs



4" Wall Mount 10/20W

Weight: 3.3 lbs



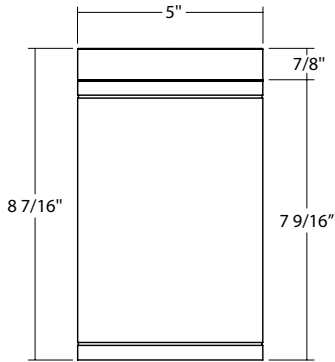
CD34 Field-Adjustable Cylinders



DIMENSIONS (CONT.)

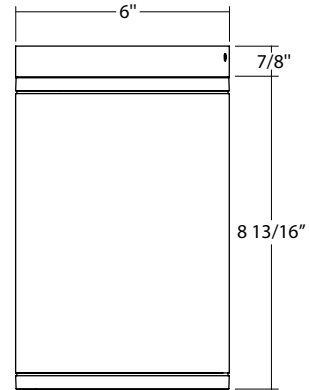
4" Surface/Pendant Mount 20W

Weight: 4.9 lbs



6" Surface/Pendant Mount 30W

Weight: 6 lbs



ACCESSORIES

Stems



CD34STEM-K



CD34STEM-W



CD34STEM-Z

Catalog Number	UPC	Description	Packaging
CD34STEM-K	192552025263	Black pendant mount accessory (4)12" linkable stems and base	1pcs/inner box, 25pcs/carton box
CD34STEM-W	192552025287	White pendant mount accessory (4)12" linkable stems and base	1pcs/inner box, 25pcs/carton box
CD34STEM-Z	192552025270	Bronze pendant mount accessory (4)12" linkable stems and base	1pcs/inner box, 25pcs/carton box

ORDERING INFO

Catalog Number	Model Number (Energy Star)	UPC	Case Pack
CD34FA3W-10-508-KC	CD1001(CD34FA3W-10-508-KC)	192552025058	10
CD34FA3W-10-508-WC	CD1002(CD34FA3W-10-508-WC)	192552025072	10
CD34FA3W-10-508-ZC	CD1003(CD34FA3W-10-508-ZC)	192552025065	10
CD34FA4W-20-508-KC	CD1004(CD34FA4W-20-508-KC)	192552025089	5
CD34FA4W-20-508-WC	CD1005(CD34FA4W-20-508-WC)	192552025102	5
CD34FA4W-20-508-ZC	CD1006(CD34FA4W-20-508-ZC)	192552025096	5
CD34FA6W-36-708-KC	CD1007(CD34FA6W-36-708-KC)	192552025171	4
CD34FA6W-36-708-WC	CD1008(CD34FA6W-36-708-WC)	192552025195	4
CD34FA6W-36-708-ZC	CD1009(CD34FA6W-36-708-ZC)	192552025188	4

CD34 Field-Adjustable Cylinders



ORDERING INFO (CONT.)

Catalog Number	Model Number (Energy Star)	UPC	Case Pack
CD34FA4SP-20-509-KC	CD1010(CD34FA4SP-20-509-KC)	192552025140	4
CD34FA4SP-20-509-WC	CD1011(CD34FA4SP-20-509-WC)	192552025164	4
CD34FA4SP-20-509-ZC	CD1012(CD34FA4SP-20-509-ZC)	192552025157	4
CD34FA4SP-20-509-KF	CD1013(CD34FA4SP-20-509-KF)	192552025119	4
CD34FA4SP-20-509-WF	CD1014(CD34FA4SP-20-509-WF)	192552025126	4
CD34FA4SP-20-509-ZF	CD1015(CD34FA4SP-20-509-ZF)	192552025133	4
CD34FA6SP-30-709-KC	CD1016(CD34FA6SP-30-709-KC)	192552025232	4
CD34FA6SP-30-709-WC	CD1017(CD34FA6SP-30-709-WC)	192552025256	4
CD34FA6SP-30-709-ZC	CD1018(CD34FA6SP-30-709-ZC)	192552025249	4
CD34FA6SP-30-709-KF	CD1019(CD34FA6SP-30-709-KF)	192552025201	4
CD34FA6SP-30-709-WF	CD1020(CD34FA6SP-30-709-WF)	192552025218	4
CD34FA6SP-30-709-ZF	CD1021(CD34FA6SP-30-709-ZF)	192552025225	4

ORDERING MATRIX

WALL MOUNT

Family	Size	Mounting	Wattage	Optic	CCT	CRI	Finish	Voltage	Lens
CD34FA		W				8			C
	3 3"	W Wall mount	10 5W up/down (3" only)	50 50° beam†	Blank 5000K/4000K/3000K	8 80CRI	W White	Blank 120-277V	C Clear
	4 4"		20 10W up/10W down (4" only)	70 70° beam†	Field Adjustable		K Black		
	6 6"		36 18W up/18W down (6" only)				Z Bronze		

SURFACE/PENDANT* MOUNT

Family	Size	Mounting	Wattage	Optic	CCT	CRI	Finish	Voltage	Lens
CD34FA		SP				9			
	4 4"	SP Surface/Pendant*	20 20W (4" only)	50 50° beam†	Blank 5000K/4000K/35000K/3000K/2700K	9 90CRI	W White	Blank 120-277V	C Clear
	6 6"		30 30W (6" only)	70 70° beam†	Field Adjustable		K Black		F Frosted
							Z Bronze		

*Pendant accessory must be purchased for pendant mounts (CD34STEM-K, CD34STEM-W, CD34STEM-Z).

†3" and 4" models only available in 50° and 6" models only available in 70°.