



Philips Glass HID lamps offer a simple & short-payback LED solution to HID replacements and can be used in both indoor and outdoor applications.

LED Glass HID lamps

Philips Glass HID lamps offer you an easy, short-payback LED solution to replace High Intensity Discharge (HID) lamps. Thanks to our High-Power LED filament technology, this new generation of indoor/outdoor glass lamps brings all the energy-efficiency and long-lifetime benefits of LED to HID replacement, while providing instant savings with a low initial investment. They are designed to have the same aesthetics, lamp size and light distribution as the HID lamps they are replacing, so the upgrade to LED is easier than ever!

Benefits

- Compact design offering the perfect fit with existing HID fixtures
- Same look and feel as traditional HID lamps
- Lowest initial investment and short payback time

LED Glass HID lamps

Features

- Suitable for both Enclosed and open fixtures
- Operational temperature range of -20-45°C
- Built-in Surge protection
- CRI 80 enable suitability for both
- Indoor and Outdoor applications

Application

- Warehouses
- Parks and Plazas
- Road and Street

Versions



Single Contact Mogul Screw ED90.
Frosted



Single Contact Medium Screw ED
75mm Frosted

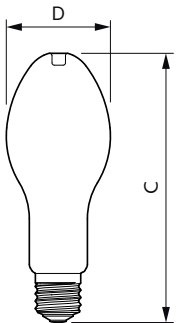


Single Contact Medium Screw ED
75mm Frosted



Exclusionary Mogul Screw ED
90mm Frosted

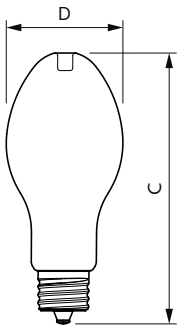
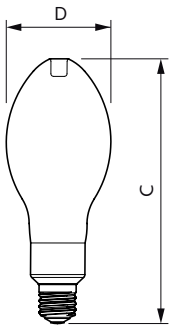
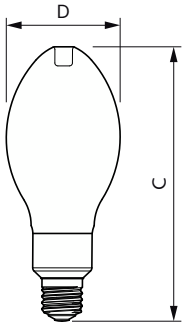
Dimensional drawing



Product	D	C
32GC/LED/830/ND E39 BB 6/1	91.5 mm	234 mm
36GC/LED/850/ND E39 BB 6/1	91.5 mm	234 mm
32GC/LED/850/ND E39 BB 6/1	91.5 mm	234 mm
36GC/LED/830/ND E39 BB 6/1	91.5 mm	234 mm

LED Glass HID lamps

Dimensional drawing



Product	D	C
14GC/LED/830/ND E26 BB 6/1	76 mm	183 mm
19GC/LED/830/ND E26 BB 6/1	76 mm	183 mm
14GC/LED/850/ND E26 BB 6/1	76 mm	183 mm
19GC/LED/850/ND E26 BB 6/1	76 mm	183 mm
14GC/LED/840/ND E26 BB 6/1	76 mm	183 mm
19GC/LED/840/ND E26 BB 6/1	76 mm	183 mm

Product	D	C
28GC/LED/840/ND E26 BB 6/1	76 mm	196 mm
28GC/LED/850/ND E26 BB 6/1	76 mm	196 mm
28GC/LED/830/ND E26 BB 6/1	76 mm	196 mm

Product	D	C
34GC/LED/830/ND EX39 BB 6/1	91.5 mm	218 mm
38GC/LED/830/ND EX39 BB 6/1	91.5 mm	218 mm
34GC/LED/850/ND EX39 BB 6/1	91.5 mm	218 mm
38GC/LED/850/ND EX39 BB 6/1	91.5 mm	218 mm
34GC/LED/840/ND EX39 BB 6/1	91.5 mm	218 mm
38GC/LED/840/ND EX39 BB 6/1	91.5 mm	218 mm

LED Glass HID lamps

Controls and dimming

Dimmable	No
----------	----

Operating and electrical

Input Frequency	50 to 60 Hz
Voltage (Nom)	120-277 V
Starting Time (Nom)	0.5 s

General information

Nominal Lifetime (Nom)	25000 h
Switching Cycle	15000X

Light technical

Color Rendering Index (Nom)	80
Limf At End Of Nominal Lifetime (Nom)	70 %

Mechanical and housing

Bulb Finish	Frosted
-------------	---------

Operating and electrical

Order Code	Full Product Name	Wattage Equivalent	Power (Nom)
577593	32GC/LED/850/ND E39 BB 6/1	100-150 W	32 W
577601	36GC/LED/850/ND E39 BB 6/1	100-150 W	36 W
577577	32GC/LED/830/ND E39 BB 6/1	100-150 W	32 W
577585	36GC/LED/830/ND E39 BB 6/1	100-150 W	36 W
578815	14GC/LED/830/ND E26 BB 6/1	70 W	14 W
578823	14GC/LED/840/ND E26 BB 6/1	70 W	14 W
578831	14GC/LED/850/ND E26 BB 6/1	70 W	14 W
578849	19GC/LED/830/ND E26 BB 6/1	100 W	19 W
578856	19GC/LED/840/ND E26 BB 6/1	100 W	19 W
578864	19GC/LED/850/ND E26 BB 6/1	100 W	19 W
578872	28GC/LED/830/ND E26 BB 6/1	125 W	28 W
578880	28GC/LED/840/ND E26 BB 6/1	125 W	28 W
578898	28GC/LED/850/ND E26 BB 6/1	125 W	28 W
578914	34GC/LED/830/ND EX39 BB 6/1	150 W	34 W
578922	34GC/LED/840/ND EX39 BB 6/1	150 W	34 W
578930	34GC/LED/850/ND EX39 BB 6/1	150 W	34 W
578948	38GC/LED/830/ND EX39 BB 6/1	175 W	38 W
578954	38GC/LED/840/ND EX39 BB 6/1	175 W	38 W
578962	38GC/LED/850/ND EX39 BB 6/1	175 W	38 W

General information

Order Code	Full Product Name	Cap-Base
577593	32GC/LED/850/ND E39 BB 6/1	E39
577601	36GC/LED/850/ND E39 BB 6/1	E39
577577	32GC/LED/830/ND E39 BB 6/1	E39
577585	36GC/LED/830/ND E39 BB 6/1	E39
578815	14GC/LED/830/ND E26 BB 6/1	E26
578823	14GC/LED/840/ND E26 BB 6/1	E26
578831	14GC/LED/850/ND E26 BB 6/1	E26
578849	19GC/LED/830/ND E26 BB 6/1	E26
578856	19GC/LED/840/ND E26 BB 6/1	E26
578864	19GC/LED/850/ND E26 BB 6/1	E26

Order Code	Full Product Name	Cap-Base
578872	28GC/LED/830/ND E26 BB 6/1	E26
578880	28GC/LED/840/ND E26 BB 6/1	E26
578898	28GC/LED/850/ND E26 BB 6/1	E26
578914	34GC/LED/830/ND EX39 BB 6/1	EX39
578922	34GC/LED/840/ND EX39 BB 6/1	EX39
578930	34GC/LED/850/ND EX39 BB 6/1	EX39
578948	38GC/LED/830/ND EX39 BB 6/1	EX39
578954	38GC/LED/840/ND EX39 BB 6/1	EX39
578962	38GC/LED/850/ND EX39 BB 6/1	EX39

Light technical

Order Code	Full Product Name	Beam		Correlated Color	
		Angle (Nom)	Color Code	Temperature (Nom)	Luminous Flux (Nom)
577593	32GC/LED/850/ND E39 BB 6/1	-	850	5000 K	5000 lm
577601	36GC/LED/850/ND E39 BB 6/1	-	850	5000 K	5900 lm
577577	32GC/LED/830/ND E39 BB 6/1	-	830	3000 K	4600 lm
577585	36GC/LED/830/ND E39 BB 6/1	-	830	3000 K	5200 lm
578815	14GC/LED/830/ND E26 BB 6/1	300 °	830	3000 K	2000 lm

Order Code	Full Product Name	Beam		Correlated Color	
		Angle (Nom)	Color Code	Temperature (Nom)	Luminous Flux (Nom)
578823	14GC/LED/840/ND E26 BB 6/1	300 °	841	4000 K	2000 lm
578831	14GC/LED/850/ND E26 BB 6/1	300 °	850	5000 K	2000 lm
578849	19GC/LED/830/ND E26 BB 6/1	300 °	830	3000 K	3000 lm
578856	19GC/LED/840/ND E26 BB 6/1	300 °	841	4000 K	3000 lm
578864	19GC/LED/850/ND E26 BB 6/1	300 °	850	5000 K	3000 lm

LED Glass HID lamps

Order Code	Full Product Name	Beam		Correlated Color	
		Angle (Nom)	Color Code	Temperature (Nom)	Luminous Flux (Nom)
578872	28GC/LED/830/ND E26 BB 6/1	300 °	830	3000 K	4000 lm
578880	28GC/LED/840/ND E26 BB 6/1	300 °	841	4000 K	4000 lm
578898	28GC/LED/850/ND E26 BB 6/1	300 °	850	5000 K	4000 lm
578914	34GC/LED/830/ND EX39 BB 6/1	300 °	830	3000 K	5000 lm
578922	34GC/LED/840/ND EX39 BB 6/1	300 °	841	4000 K	5000 lm

Order Code	Full Product Name	Beam		Correlated Color	
		Angle (Nom)	Color Code	Temperature (Nom)	Luminous Flux (Nom)
578930	34GC/LED/850/ND EX39 BB 6/1	300 °	850	5000 K	5000 lm
578948	38GC/LED/830/ND EX39 BB 6/1	300 °	830	3000 K	6000 lm
578954	38GC/LED/840/ND EX39 BB 6/1	300 °	841	4000 K	6000 lm
578962	38GC/LED/850/ND EX39 BB 6/1	300 °	850	5000 K	6000 lm

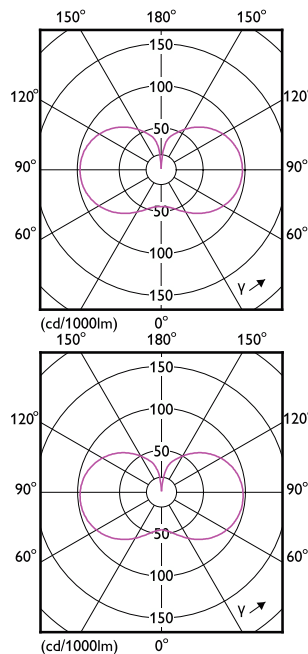
Mechanical and housing

Order Code	Full Product Name	Bulb Shape
577593	32GC/LED/850/ND E39 BB 6/1	ED90.
577601	36GC/LED/850/ND E39 BB 6/1	ED90.
577577	32GC/LED/830/ND E39 BB 6/1	ED90.
577585	36GC/LED/830/ND E39 BB 6/1	ED90.
578815	14GC/LED/830/ND E26 BB 6/1	ED-23 1/2
578823	14GC/LED/840/ND E26 BB 6/1	ED-23 1/2
578831	14GC/LED/850/ND E26 BB 6/1	ED-23 1/2
578849	19GC/LED/830/ND E26 BB 6/1	ED-23 1/2
578856	19GC/LED/840/ND E26 BB 6/1	ED-23 1/2
578864	19GC/LED/850/ND E26 BB 6/1	ED-23 1/2

Order Code	Full Product Name	Bulb Shape
578872	28GC/LED/830/ND E26 BB 6/1	ED-23 1/2
578880	28GC/LED/840/ND E26 BB 6/1	ED-23 1/2
578898	28GC/LED/850/ND E26 BB 6/1	ED-23 1/2
578914	34GC/LED/830/ND EX39 BB 6/1	ED28
578922	34GC/LED/840/ND EX39 BB 6/1	ED28
578930	34GC/LED/850/ND EX39 BB 6/1	ED28
578948	38GC/LED/830/ND EX39 BB 6/1	ED28
578954	38GC/LED/840/ND EX39 BB 6/1	ED28
578962	38GC/LED/850/ND EX39 BB 6/1	ED28

Temperature

Order Code	Full Product Name	T-Case Maximum (Nom)
577593	32GC/LED/850/ND E39 BB 6/1	66 °C
577601	36GC/LED/850/ND E39 BB 6/1	71 °C
577577	32GC/LED/830/ND E39 BB 6/1	61 °C
577585	36GC/LED/830/ND E39 BB 6/1	58 °C
578815	14GC/LED/830/ND E26 BB 6/1	56.2 °C
578823	14GC/LED/840/ND E26 BB 6/1	56.2 °C
578831	14GC/LED/850/ND E26 BB 6/1	56.2 °C
578849	19GC/LED/830/ND E26 BB 6/1	63.9 °C
578856	19GC/LED/840/ND E26 BB 6/1	63.9 °C
578864	19GC/LED/850/ND E26 BB 6/1	63.9 °C
578872	28GC/LED/830/ND E26 BB 6/1	65.8 °C
578880	28GC/LED/840/ND E26 BB 6/1	65.8 °C
578898	28GC/LED/850/ND E26 BB 6/1	65.8 °C
578914	34GC/LED/830/ND EX39 BB 6/1	65.7 °C
578922	34GC/LED/840/ND EX39 BB 6/1	65.7 °C
578930	34GC/LED/850/ND EX39 BB 6/1	65.7 °C
578948	38GC/LED/830/ND EX39 BB 6/1	73.9 °C
578954	38GC/LED/840/ND EX39 BB 6/1	73.9 °C
578962	38GC/LED/850/ND EX39 BB 6/1	73.9 °C



LED Glass HID lamps

