



LED PAR30 S/L

8.5PAR30S/LED/927/F25/DIM/GULW/T20 6/1FB

Philips LED spots with a single optic beam, provide a clean beam that's free from shadows with beam angles from 15 and 40 degrees to suit every general lighting application.

Product data

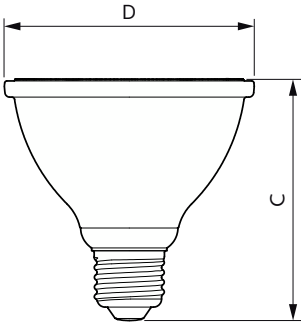
| General information | |
|---------------------------------------|------------------------------------|
| Base | E26 [Single Contact Medium Screw] |
| EU RoHS compliant | Yes |
| Nominal Lifetime (Nom) | 25000 h |
| Switching Cycle | 25000X |
| Light technical | |
| Color Code | 927 [CCT of 2700K] |
| Beam Angle (Nom) | 25 ° |
| Initial lumen (Nom) | 800 lm |
| Luminous Intensity (Nom) | 3300 cd |
| Color Designation | Warm White (WW) |
| Correlated Color Temperature (Nom) | 2700 K |
| Luminous Efficacy (rated) (Nom) | 94.00 lm/W |
| Color Consistency | <4 |
| Color Rendering Index (Nom) | 90 |
| LLMF At End Of Nominal Lifetime (Nom) | 70 % |
| Operating and electrical | |
| Input Frequency | 50 to 60 Hz |
| Power (Rated) (Nom) | 8.5 W |
| Lamp Current (Nom) | 80 mA |
| Wattage Equivalent | 75 W |
| Starting Time (Nom) | 0.5 s |

| Warm Up Time to 60% Light (Nom) | 0.5 s |
|---------------------------------|---------------------------------------------|
| Power Factor (Nom) | 0.9 |
| Voltage (Nom) | 120 V |
| Temperature | |
| T-Case Maximum (Nom) | 70 °C |
| Controls and dimming | |
| Dimmable | Only with specific dimmers |
| Mechanical and housing | |
| Bulb Shape | PAR30S [PAR 3.75 inch/95mm Short] |
| Approval and application | |
| Suitable For Accent Lighting | Yes |
| Product data | |
| Order product name | 8.5PAR30S/LED/927/F25/DIM/GULW/T20 6/1FB |
| EAN/UPC - Product | 046677568009 |
| Order code | 568006 |
| Numerator - Quantity Per Pack | 1 |
| Numerator - Packs per outer box | 6 |
| Material Nr. (12NC) | 929003027704 |

LED PAR30 S/L

Net Weight (Piece) 0.220 kg

Dimensional drawing

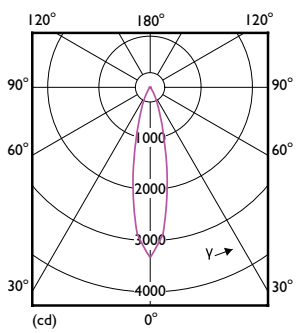


8.5PAR30S/LED/927/F25/DIM/GULW/T20 6/1FB

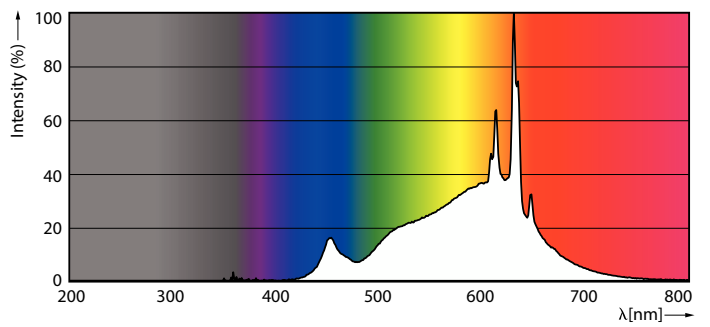
Product

8.5PAR30S/LED/927/F25/DIM/GULW/T20 6/1FB

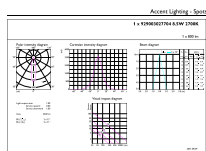
Photometric data



LEDspots N DIM 8,5W PAR30S E26 927 25D-LDD



LEDspots N DIM 8,5W PAR30L E26 927 25D-POC



Technical Information 1.1 10/10/2019 1.1

LEDspots N DIM 8,5W PAR30S E26 927 25D 1-ADL

LED PAR30 S/L

Lifetime



LEDspots LED 25K

LEDspots LMP 25K

