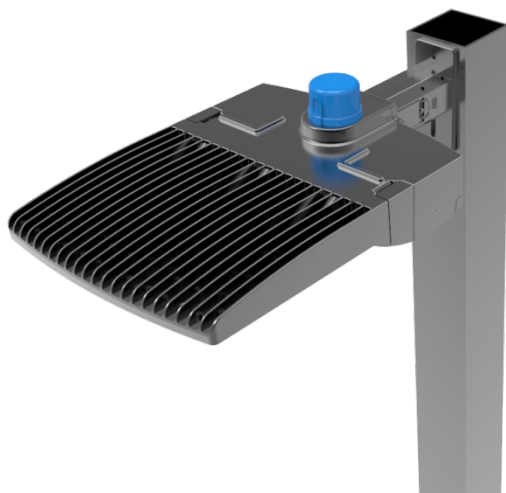


LUNA[®] LED AREA LIGHT

SERIES OVERVIEW



Model	Watts	Lumens	Lm/Watt	MH Equiv
LUNA100	100	14,000	140	300
LUNA150	150	21,000	140	400
LUNA200	200	28,000	140	600
LUNA240	240	33,600	140	750
LUNA320	320	44,800	140	1,000



LUNA FEATURES

HIGH EFFICACY - 140 lm/w provides higher energy savings & ROI. Best in class.

STYLISH DESIGN - Slim appearance that reduces wind resistance.

INSTALLATION EASE - Features simple structure, easy installation and maintenance.

MOUNTING - Patent pending simple 1 person mounting reduces installation cost.

ELECTRICAL - 100-277 VAC or 249-480 VAC (50/60HZ). Built-in 10 KV surge protection. 20KV optional.

DISTRIBUTION - Type 3/ Type 5. Others available upon request.

FINISH - Dark Bronze, Black, White & Gray

LEDS - Philips Lumileds 3030

CCT - 3000K/4000K/5000K CRI 75

LENS - Polycarbonate lens with UV protection which prevents discoloration over extended life.

DEBRIS PROTECTION - Optional cover reduces excessive wildlife debris.

OPERATING TEMP - -40°C to +50°C (-40°F to +122°F)

PHOTOMETRICS - IES files available upon request.

ENERGY SAVING OPTIONS - 0-10v dimmable driver with photocell & programmable motion sensor provides even energy savings.

LISTINGS - Compliant with DLC 4.0 and ETL standards. Suitable for wet locations - IP67. Dark sky compliant.

HIGH ROI - High performance design with competitive pricing leads to very high ROI.

EXPECTED LIFE - 50,000 hours minimum

WARRANTY - 5 Year Limited Warranty



**PHILIPS
LUMILEDS**



LUNA® LED AREA LIGHT

SPECIFICATIONS

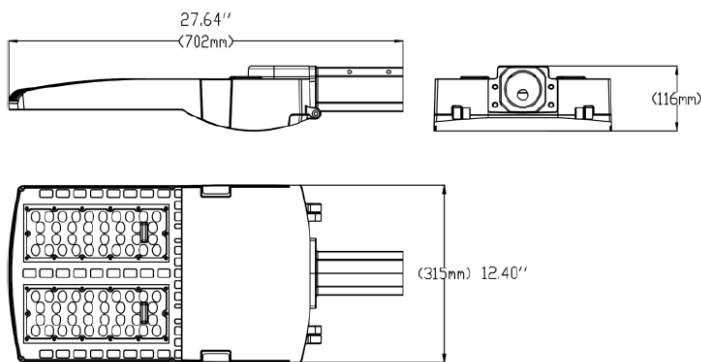
LUNA Ordering Information

Model	Wattage	Input Voltage	Color Temperature	Optics	Finish	Mounting	Options
LUNA	100 150 200 240 320	A - 120-277 B - 277-480	30K - 3000K 40K - 4000K 50K - 5000K	1 - Type 1 2 - Type 2 3 - Type 3 4 - Type 4 5 - Type 5	D - Dark Bronze B - Black G - Gray W - White	SLI - Slip Fitter TRU - Trunnion U - Universal	D1 - 120-277V Photocell D2 - 347V Photocell D3 - 480V Photocell D4 - Motion Sensor SLO-B - 60mm Round Tenon SLO-D - 40mm Round Tenon SLO-F - 50mm Round Tenon SLO-C - Square Pole SLO-E - 100mm Round Pole

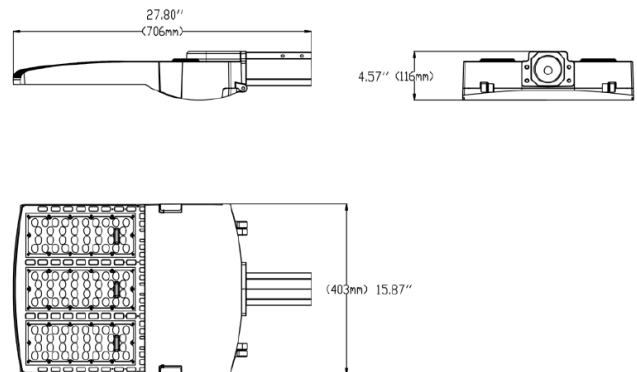
Order Example:

LUNA-150A-50K-1-D-SLI-D1

LUNA 100/150/200 Dimensions



LUNA 240/320 Dimensions



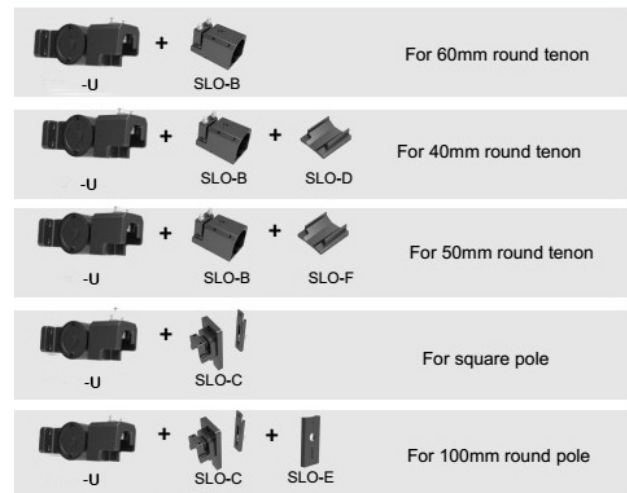
Mounting Options:



Slip Fitter (SLI)



Trunnion (TRU)



Universal (U)

