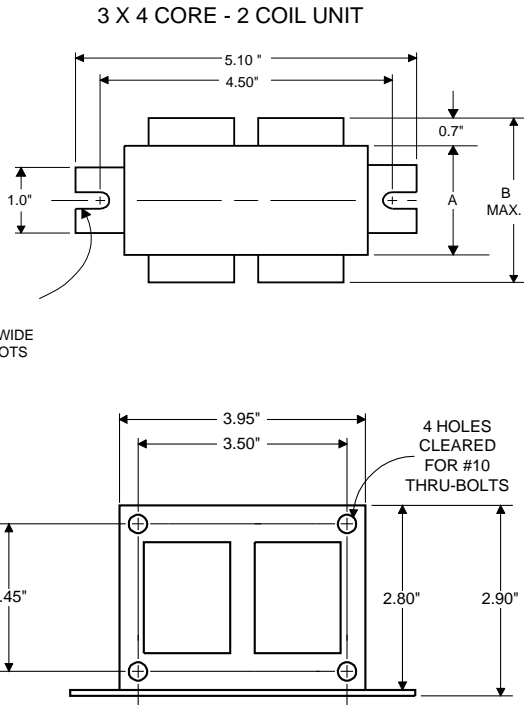


**PHILIPS
ADVANCE**

**High Pressure
Sodium
Lamp Ballast**

**Catalog Number 71A7801
For 50W S68
60 Hz HX-HPF
Status: Active**

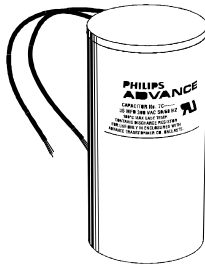
DIMENSIONS AND DATA



0.25" WIDE
2 SLOTS

INPUT VOLTS	120	277			
CIRCUIT TYPE	HX-HPF				
POWER FACTOR (min)	90%				
REGULATION					
Line Volts	±5%				
Lamp Watts	WITHIN TRAPEZOID				
LINE CURRENT (Amps)					
Operating.....	0.61	0.26			
Open Circuit.....	1.00	0.45			
Starting.....	0.65	0.30			
UL TEMPERATURE RATINGS	H(180°C)				
Insulation Class	1029				
Coil Temperature Code	-20°F or -30°C	A	A		
MIN. AMBIENT STARTING TEMP.	125				
NOM. OPEN CIRCUIT VOLTAGE					
INPUT VOLTAGE AT LAMP DROPOUT.....	96	222			
INPUT WATTS					
RECOMMENDED FUSE (Amps).....	3	1			
CORE and COIL	1.00				
Dimension (A)	2.20				
Dimension (B)	3.5				
Weight (lbs.)	12"				
Lead Lengths					
CAPACITOR REQUIREMENT	5.0				
Microfarads	280				
Volts (min.)					
Fault Current Withstand (amps)					
60 Hz TEST PROCEDURES (Refer to Philips Lighting Electronics N.A. TEST Procedure for HID Ballasts - Form 127)					
High Potential Test (Volts)	2000				
1 minute	2500				
2 seconds	115-135				
Open Circuit Voltage Test (Volts)					
Short-Circuit Current Test (Amps)	1.30-1.90				
Secondary Current					
Input Current.....	0.60-	0.25-	-	-	-
	0.80	0.35			

Capacitor: 7C050L33



Capacitance: 5
Dia/Oval Dim: 1.25
Height: 2.9
Temp Rating: 105°C

Ignitor: LI551-H4



Ballast to Lamp Distance
(BTL) = 2 feet
Temp Rating: 105°C

**RoHS
COMPLIANT**

**SA
U.L. RECOGNIZED**

Wiring Diagram:

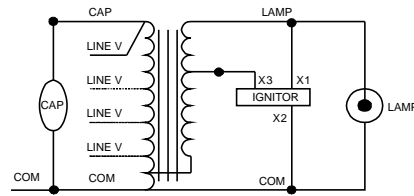


Fig. K

Typical Ordering Information

(please call Philips Lighting Electronics N.A. for suffix availability)

Order Suffix	Description

Data is based upon tests performed by Philips Lighting Electronics N.A. in a controlled environment and is representative of relative performance. Actual performance can vary depending on operating conditions. Specifications are subject to change without notice.

PHILIPS LIGHTING ELECTRONICS N.A.

10275 WEST HIGGINS ROAD · ROSEMONT, IL 60018

Tel: 800-322-2086 · Fax: 888-423-1882 · www.philips.com/advance

Customer Support/Technical Service: 800-372-3331 · OEM Support: 866-915-5886

Revised: 05/13/99